



# Diaphragm Switch BM-25-R, BM-25-F



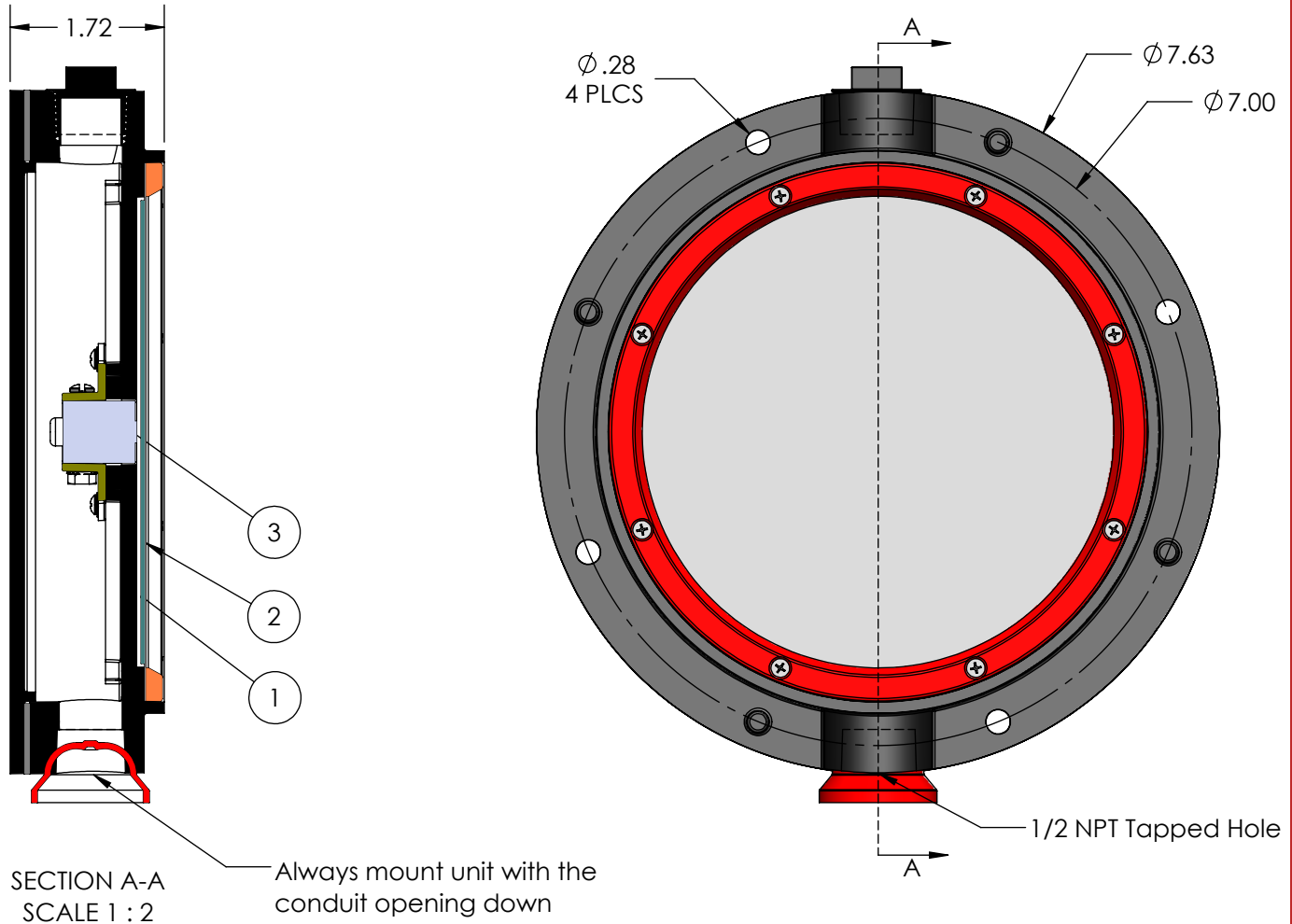
**BINMASTER**  
Model No.: BM-25-F Diaphragm Switch  
Industrial Control Equipment  
Switch Contact Rating: 15A, 250VAC  
**CAUTION:**  
Open circuit before removing cover  
Garner Industries - Lincoln, NE 68507 - USA

BinMaster

A division of Garner Industries  
7201 N. 98th St., Lincoln, NE 68507  
402-434-9102 | [info@binmaster.com](mailto:info@binmaster.com)  
[www.binmaster.com](http://www.binmaster.com)

# BM-25-R

## General Purpose Diaphragm

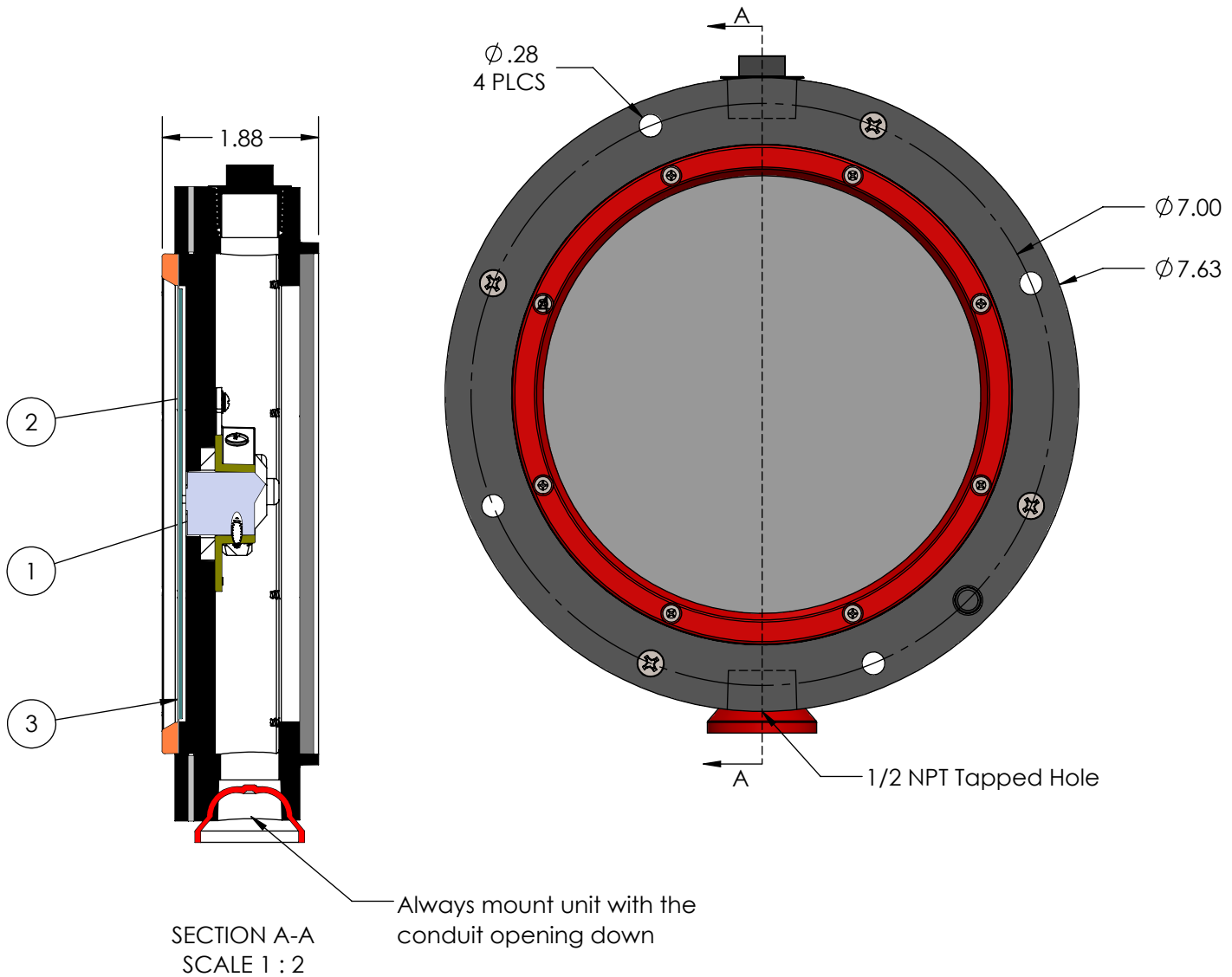


BM-25-R Diaphragm Replacement Parts List

ITEM NO.	PART NUMBER	DESCRIPTION	QTY.
1	270-0185	PLATE SWITCH ACTUATOR BM-25	1
2	225-0036	DIAPHRAGM SILICONE 1/32 BM-25	1
3	375-0115	MICROSWITCH BM-25 STD FORCE	1

# BM-25-F

## General Purpose Diaphragm



BM-25-F Diaphragm Replacement Parts List

ITEM NO.	PART NUMBER	DESCRIPTION	QTY.
1	375-0115	MICROSWITCH BM-25 STD FORCE	1
2	270-0185	PLATE SWITCH ACTUATOR BM-25	1
3	225-0036	DIAPHRAGM SILICONE 1/32 BM-25	1

# Installation Instructions

## Installation Options:

**NOTE:** Vertical mounting is necessary for proper operation.

Install the **BM-25-F** Series on the outside of the bin wall. The unit must be mounted vertically with the diaphragm facing toward the center of the bin.

Before mounting, determine the desired location of the unit, then cut a five inch hole in the side of the bin. Do not warp or bow the mounting plate when screwing to the bin wall. Shim the unit if mounting to a uneven surface.

The **BM-25-R** Series mounts on the **inside** of the bin wall, with the diaphragm facing toward the center of the bin. Secure with four screws.

**NOTE:** When installing the BM-25 in locations where moisture or moist air could enter the enclosure through the electrical conduit, use a duct seal compound to seal the conduit opening.

Refer to drawings for mounting hole dimensions for either the BM-25-F series or BM-25-R series units.

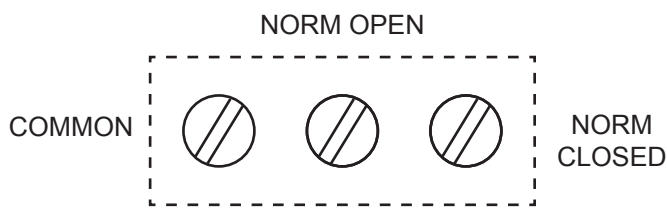
## Wiring Instructions:

The BinMaster housing has provisions for connection to 1/2 inch conduit.

Remove the back plate of the BM-25. This will expose the single pole double throw snap-switch.

The switch rating is: 15A @ 250VAC

There are three terminals on the switch: “Common”, “Normally Open”, and “Normally Closed”. The condition referred to as “normal” is with no material covering the diaphragm of the BM-25.



## Examples:

**A.** The BinMaster switch may be used to control a motor start relay. To wire the BinMaster switch to stop the motor when material covers the diaphragm, use the “Common” and “Normally Closed” switch terminals.

**B.** To wire the BinMaster switch to turn on a light, or sound an alarm when material covers the diaphragm, use “Common” and “Normally Open”.