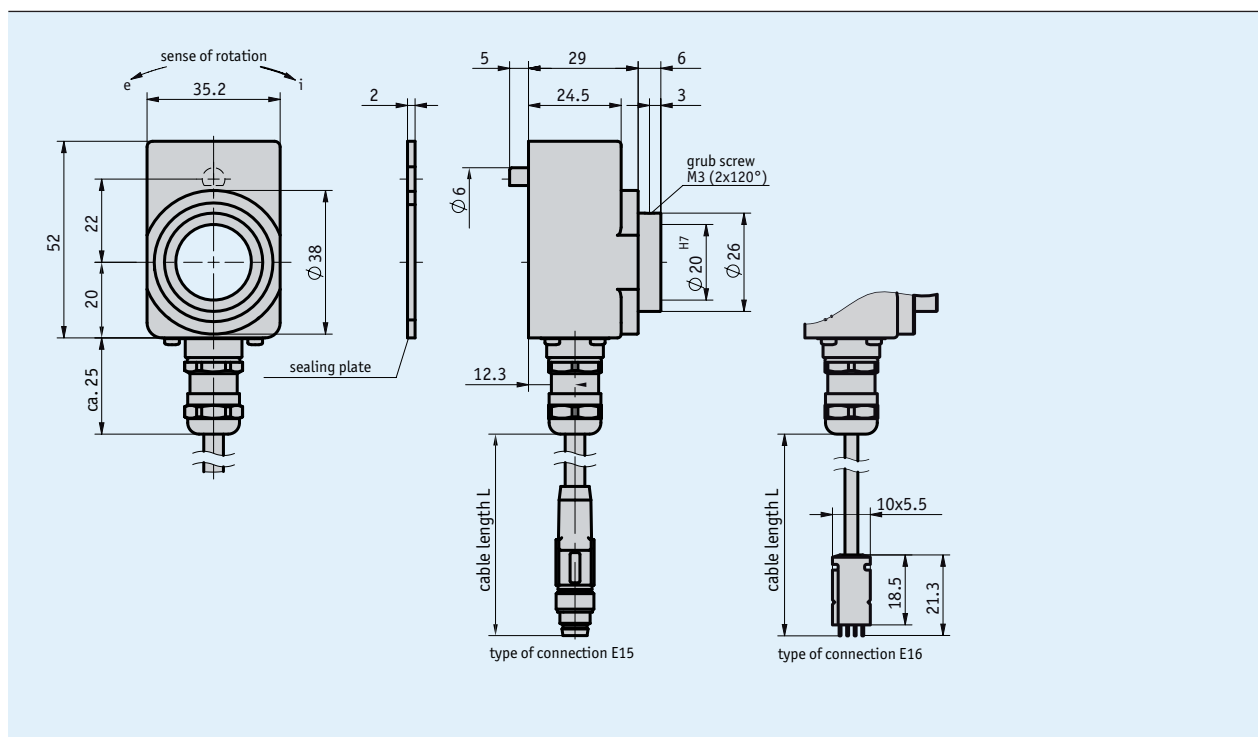


Profile

- Rotatively measuring sensor with magnetic scanning
- Pluggable connection to AP10S, AP20S, MA503/2, MA504/1 position indicators
- Easy hollow-shaft mounting, max. \varnothing 20 mm
- IP65 protection category



Mechanical data

Feature	Technical data	Additional information
Shaft	stainless steel	
Housing	plastic	
Color	black RAL 9005	
Speed	≤600 rpm	
Cable sheath	PUR	E15 type of connection
	PVC	E16 type of connection
Cable bending radius	≥52 mm	permanently/flexibly laid (E15 type of connection)
	>17 mm	hard-wired (E16 type of connection)

Electrical data

Feature	Technical data	Additional information
Operating voltage	supply via downstream electronic unit	
Type of connection	M8 plug connector	6-pole, 1x pin (E15 type of connection)
	flat connector	8-pole, 1x pin (E16 type of connection)

System data

Feature	Technical data	Additional information
Scanning	magnetic	polewheel with 18 poles of 5 mm each
Resolution	depending on downstream electronic unit	
Measuring range	depending on downstream electronic unit	

Ambient conditions

Feature	Technical data	Additional information
Ambient temperature	0 ... 60 °C	
Storage temperature	-20 ... 70 °C	
Relative humidity		condensation inadmissible
EMC	EN 61000-6-2	interference resistance / immission
	EN 61000-6-4	emitted interference / emission
Protection category	IP65	EN 60529

Order

Ordering information

One or more system components are required:

Electronic position indicator AP10S
 Electronic display MA503/2
 Electronic display MA504/1

www.siko-global.com
www.siko-global.com
www.siko-global.com

Ordering table

Feature	Ordering data	Specification	Additional information
Hollow shaft/diameter	20	ø20 mm	
	RH14	reducing bush	
		others on request	
Type of connection	E15	M8 plug connector	suitable for AP04S and AP10S
	E16	connector	suitable for MA503/2 and MA504/1
Cable length L	...	00.5 ... 02.0 m, in steps of 0.5 m	

Order key

GS04 - - -
A B C

Scope of delivery: GS04, Mounting instructions