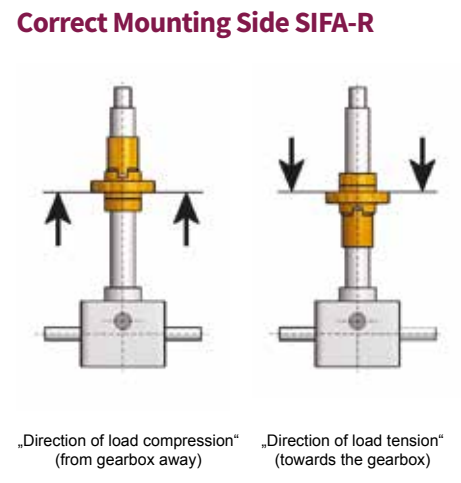
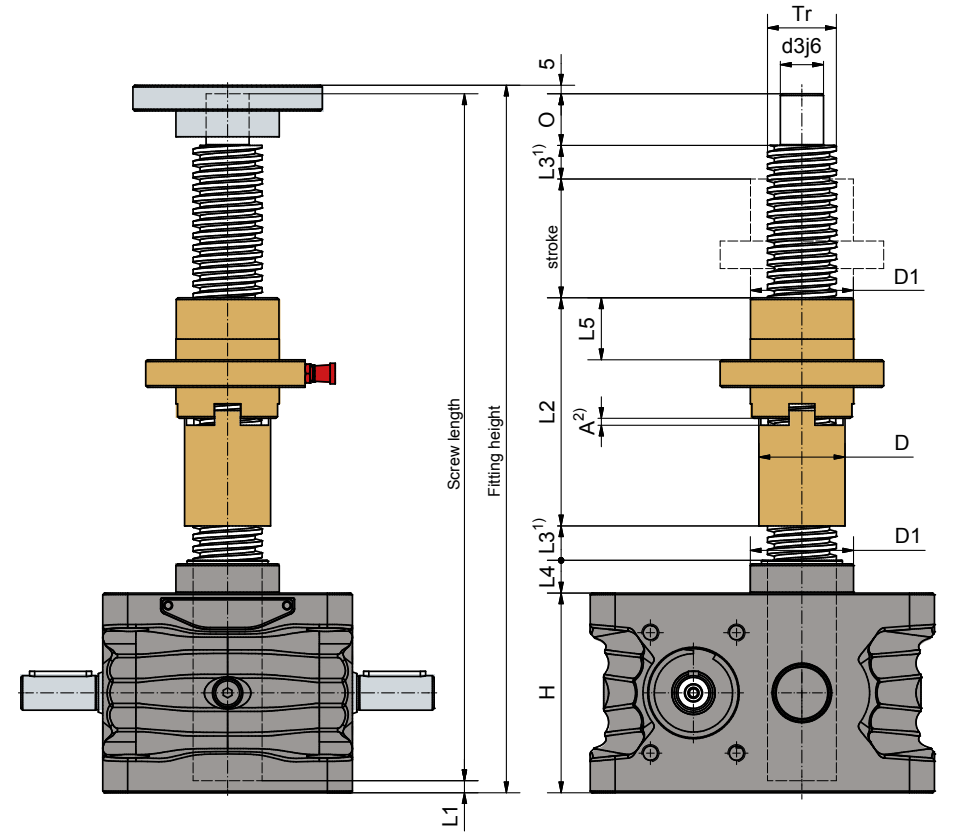


## Safety nut SIFA-R | rotating screw

**Function:**  
 The load is borne by the duplex nut.  
 The safety nut runs alongside the duplex nut, bearing no load.  
 If the nut thread is worn through due to wear, the SIFA takes the load.

**Direction of loading**  
 A drawing showing the direction of loading is necessary in order to ensure the safety function. The SIFA R operates in only one direction of loading!



Screw jack	Tr-Screw	H	D1	D	d3j6	O	L1	L2	L3 <sup>1)</sup>	L4	L5	A <sup>2)</sup> ca.
ZE-5	18x4	62	29	24	12	15	8	70	10	12	20	3
ZE-10	20x4	74	39	28	15	20	8	84	10	16	20	3
ZE-25	30x6	82	46	38	20	25	5	95	10	17	23	4
ZE-35	40x7	100	60	50	25	30	7	133	10	19	36	4
ZE-50	40x7	116	60	50	25	30	7	133	10	19	36	4
ZE-100	55x9	160	85	65	40	45	8	173	20	30	54	6
ZE-150	60x9	185	90	70	45	55	7	211	20	32	75	6
ZE-200	70x12	176	110	95	50	65	5	233	20	34	75	7

1) See "Technical information"-section on our website for extension if bellows or spiral spring is fitted  
 2) approx. original setting, must be measured and documented by the customer, and referred to when checking

## Monitoring with safety nut SIFA-R | rotating screw

### Visual monitoring

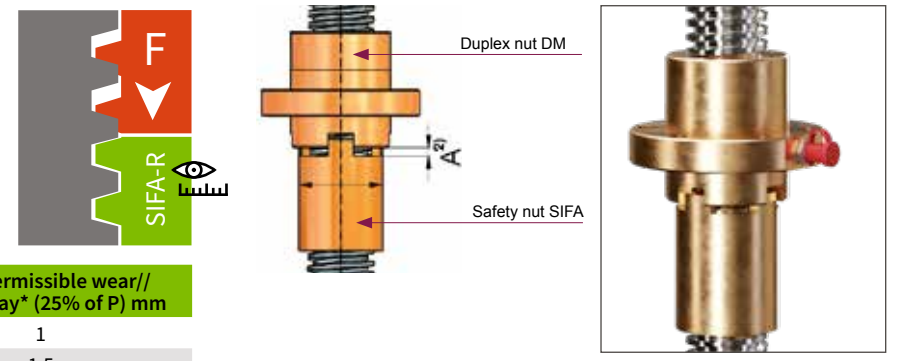
Dimension A is approx. the original setting.  
 Dimension A must be measured and documented by the customer, and referred to when checking.

This enables substitution to be planned well in advance and therefore prevents any unnecessary downtime.

**When the thread is worn through, take the equipment out of service immediately.**

Gearbox TrØxP	pitch P mm	max. permissible wear// thread play* (25% of P) mm
Tr16x4, Tr18x4, Tr20x4	4	1
Tr30x6	6	1,5
Tr40x7	7	1,75
Tr50x8	8	2
Tr55x9, Tr60x9	9	2,25
Tr70x12	12	3
Tr80x16	16	4

\*Identical for double pitch screw (same thread flank thickness)

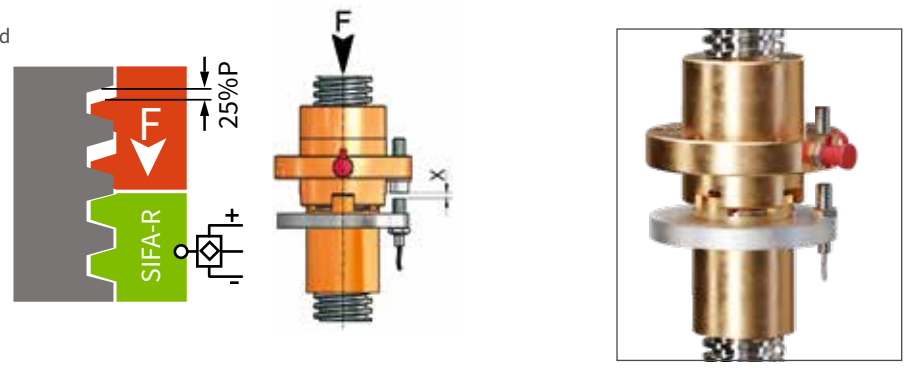


### Electrical monitoring

The initiator must be set so that it switches off when the load nut reaches 25% of the wear.

This enables a replacement to be planned well in advance and therefore prevents any unnecessary downtime.

**When the thread is worn through, take the system out of service immediately.**



**Ordering example:** Z-35-RL-SIFA-OP

Version: RN or RL  
 Monitoring: OP: Visual monitoring, EL: Electrical monitoring (wear, thread stripping)

