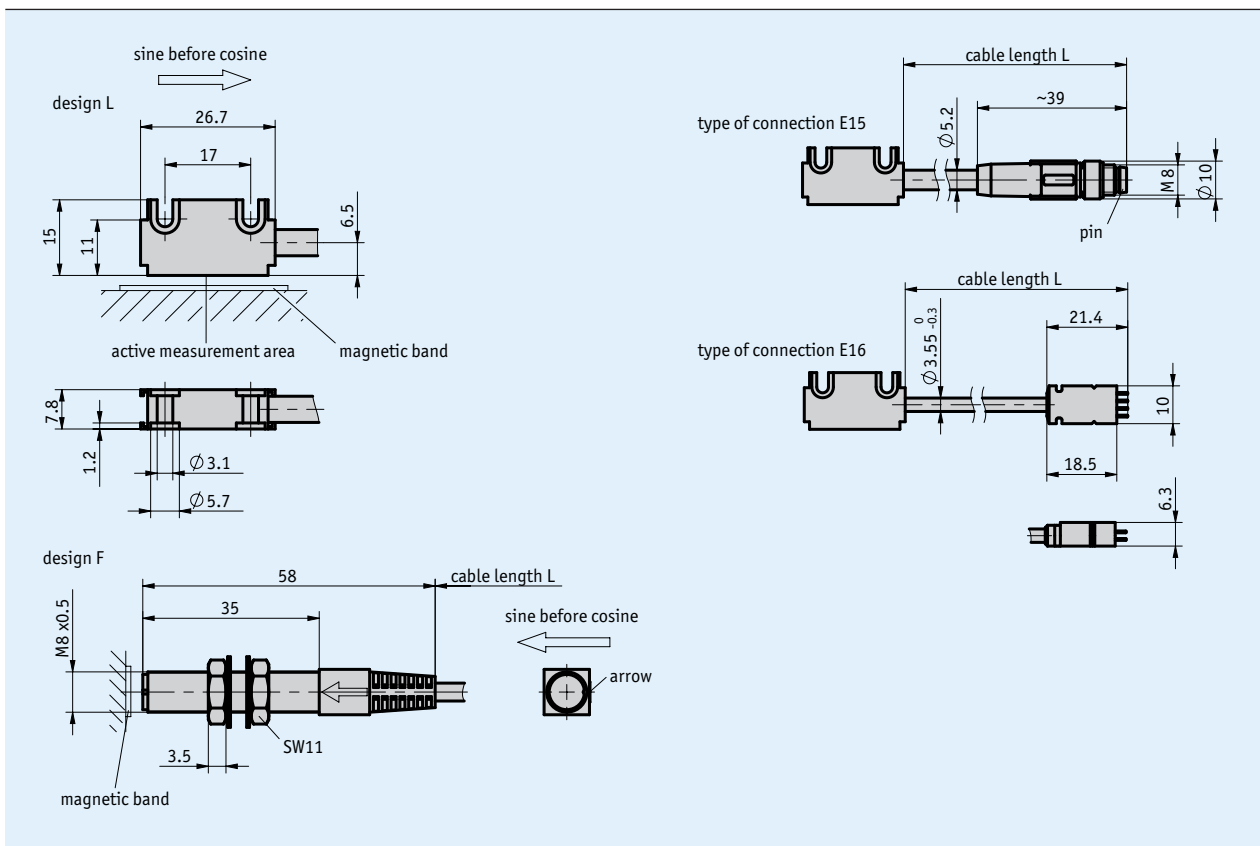
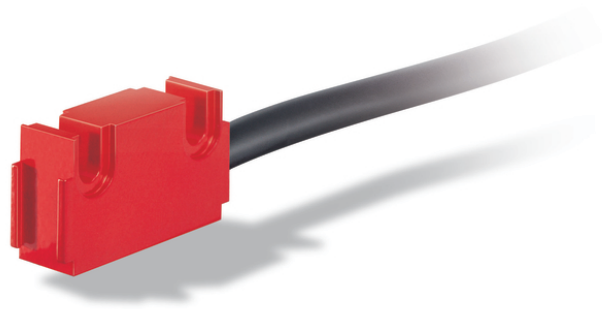


## Profile

- Compact design of sensor and connector
- To be connected to AP10S or AP20S
- To be connected to MA503/2 or MA504/1
- Works with MB500/1 magnetic tape, MR500 magnetic ring, MBR500 magnetic tape ring
- Reading distance  $\leq 2$  mm



## Mechanical data

| Feature                      | Technical data         | Additional information                                       |
|------------------------------|------------------------|--|
| Housing                      | aluminum red           | L design   |
|                              | steel                  | F design   |
| Sensor/band reading distance | 0.1 ... 2 mm           |  |
| Cable sheath                 | PVC                    | 6-wire $\varnothing 3.55_{-0.3}$ mm (E16 type of connection) |
|                              | PUR                    | 6-wire $\varnothing 5.2$ mm (E15 type of connection)         |
| Cable bending radius         | $>17$ mm (static)      | E16 type of connection                                       |
|                              | $\geq 52$ mm (dynamic) | E15 type of connection                                       |

## Electrical data

| Feature             | Technical data  | Additional information |
|---------------------|---|------------------------|
| Operating voltage   | supply via measurement display / downstream electronic unit |                        |
| Current consumption | supply via measurement display / downstream electronic unit |                        |
| Type of connection  | flat connector  | 8-pole, 1x pin (E16)   |
|                     | M8 plug connector   | 6-pole, 1x pin (E15)   |

## System data


| Feature         | Technical data                          | Additional information |
|-----------------|---|------------------------|
| System accuracy | depending on downstream electronic unit |                        |
| Repeat accuracy | depending on downstream electronic unit |                        |
| Travel speed    | depending on downstream electronic unit |                        |

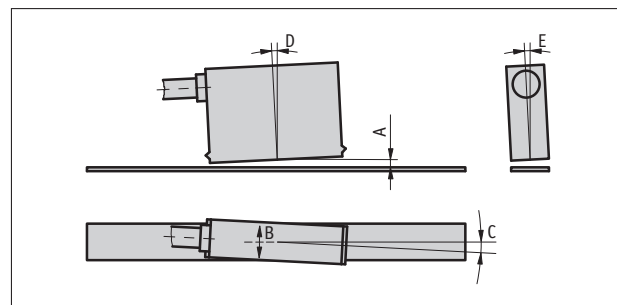
## Ambient conditions

| Feature              | Technical data                         | Additional information         |
|----------------------|--|--------------------------------|
| Ambient temperature  | 0 ... 60 °C                            |                                |
| Storage temperature  | -20 ... 70 °C                          |                                |
| Relative humidity    | 100 %                                  | Betauung zulässig (Sensorkopf) |
| Protection category  | IP67                                   | EN 60529 (sensor head)         |
| Shock resistance     | 2000 m/s <sup>2</sup> , 11 ms          | EN 60068-2-27                  |
| Vibration resistance | 200 m/s <sup>2</sup> , 50 Hz ... 2 kHz | EN 60068-2-6                   |

## Hint for mounting

|                                 |       |
|---------------------------------|-------|
| A, Sensor/tape reading distance | ≤2 mm |
| B, Lateral offset               | ±2 mm |
| C, Alignment error              | ±3°   |
| D, Longitudinal inclination     | ±1°   |
| E, Lateral inclination          | ±3°   |

 *The length of the cable between the sensor and connector cannot be subsequently increased or decreased.*



Symbolic representation

## Order

### Ordering information

One or more system components are required:

Magnetic band MB500/1

Magnetic ring MR500

Magnetic band ring MBR500

[www.siko-global.com](http://www.siko-global.com)

[www.siko-global.com](http://www.siko-global.com)

[www.siko-global.com](http://www.siko-global.com)

### Ordering table

| Feature            | Ordering data | Specification                          | Additional information           |
|--------------------|---------------|--|----------------------------------|
| Design             | L             | rectangular                            |                                  |
|                    | F             | round                                  | only with E16 type of connection |
| Type of connection | E15           | M8 plug                                | for AP10S and AP20S              |
|                    | E16           | tab connector                          | for MA503/2 and MA504/1          |
| Cable length       | ...           | 00.2 ... 10.0 in m                     | only with connection type E16    |
|                    | ...           | 00.5 ... 02.5 m, in intervals of 0.5 m | only with connection type E15    |

### Order key

MS500H -  -  -

*Scope of delivery: MS500H, Mounting instructions, Fastening set*