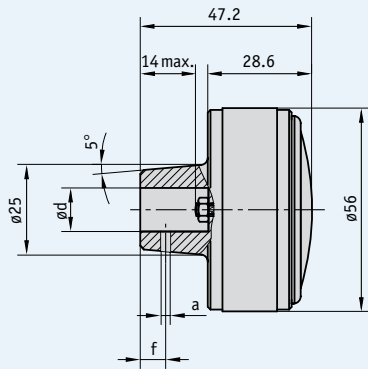
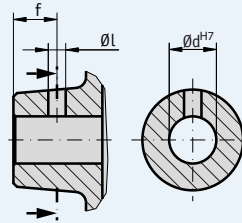


Profile

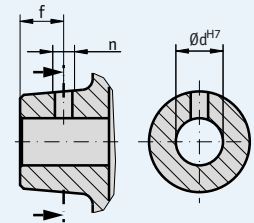
- Compact turning handle made of aluminum casting
- Integrated position indicator
- Analog display with various gear ratios and special scales
- Surface anodized or bright-finished
- Various hub versions



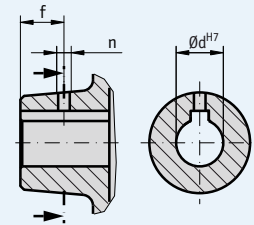
pinhole



hub thread



hub thread with keyway



Mechanical data

■ Dimensions

| type | ØD | Ødx | Weight | material |
|------|----|-----|--------|----------|
| HR 5 | 8 | 12 | 0.1 kg | aluminum |

dx = d max.

Order

Order table

| Feature | Order data | Technical data | Additional information |
|-------------------|------------|--|---|
| Bore Ød | d | value Ød - Ødx | see "Dimensions" |
| | ... | A 8 ... 12 d max. in mm steps (H7) | |
| Surface | B | unvarnished | |
| | ES | black anodized | |
| | EF | natural anodized | |
| Gear ratio | ... | C 1, 2, 3, 6, 10, 12, 15, 18, 20, 24, 30, 36, 48, 50, 60, 72, 84, 96, 100 | |
| | | | |
| Sense of rotation | i | clockwise | |
| | e | counter-clockwise | |
| Pointer | 1 | pointer with gear ratio | |
| | 2 | 1 pointer with gear ratio and 1 pointer running 1:1 | |
| Pinhole | 0S | without pinhole | only if hub thread "ONG" |
| | 2.5/7 | diameter "Ø"/measure "f" | |
| | | others on request | |
| Hub thread | ONG | without hub thread | only if pinhole "0S" |
| | M6/8 | thread "n"/measure "f" | |
| | | others on request | |
| Scale | N | normal scale | related to gear pitch |
| | VK | special scale | custom-designed, no VK with first article |
| Scale imprint | C1 | one-color | |
| | C2 | two-color | |
| | C3 | three-color | |

Order code

HR5 - - - - - - - - -

Scope of delivery: HR5

➔ Additional information:

General information and areas of application

Page 62 cont.