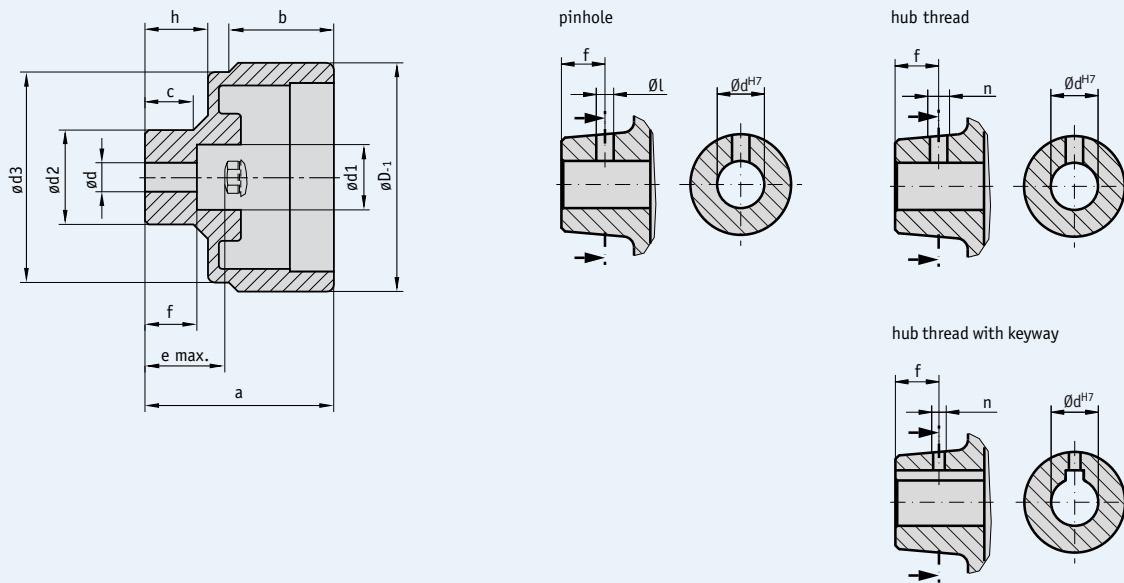


### Profile

- Low-cost and compact turning handle made of glass-fiber reinforced plastic
- Various sizes
- Surface with rounded edges avoids accumulation of dirt
- Hub made of plastic or metal
- Various hub versions



### Mechanical data

#### Dimensions

type	Hub	$\varnothing D$	$\varnothing dv$	$\varnothing dx$	$\varnothing d_1$	$\varnothing d_2$	$\varnothing d_3$	a	b	c	e	f	h	suitable for	weight	material
HG 5	plastic	63		6 ... 12 <sup>H9</sup>	13	21	58	49	28.9	14.3	19.2	17.3	14.3	S50/1	0.1 kg	plastic
	metal	63	5.8	6 ... 16 <sup>H7</sup>	18	26	58	52	28.9	13.3	22.2	14.3	17.3	S50/1	0.1 kg	plastic
HG 10	plastic	98		6 ... 16 <sup>H9</sup>	16	30	93	56	31.5	18.7	22.8	20.7	18.7	S80/1; SZ80/1	0.2 kg	plastic
	metal	98	5.8	6 ... 16 <sup>H7</sup>	25.5	35	93	59	31.5	18.2	25.8	18	21.7	S80/1; SZ80/1	0.2 kg	plastic

dv = d predrilled

#### Special versions

Handwheel type	HG 5				HG 10				
Plastic hub	•	•	•	•	•	•	•	•	
Metal hub	•	•	•	•	•	•	•	•	
Bore dH7	6, 8	9, 10	12	14*	6 ... 8	9, 10	11, 12	13 ... 16	
Groove width for keyway JS9		3	4	5		3	4	5	
Pinhole	3.8/10	3.8/10	3.8/10	4.8/10*	3.8/10	3.8/10	3.8/10	4.8/10	
Hub thread	without keyway JS9	M4/10	M4/10	M4/10*	M6/10*	M4/10	M4/10	M4/10	M6/10
	with keyway JS9	M3/10	M3/10	M3/10		M3/10	M3/10	M4/10	

\*) not possible with plastic hub, special versions available on request. Note: Characters highlighted in orange are order features.

## Order

### Order table

Feature	Order data	Technical data	Additional information
Handwheel type	HG... A	5, 10	see "Dimensions"
Hub material	A K VA	B aluminum plastic reinforced Nirosta	
Bore Ød	d vorg. ...	C predrilled 6 ... 16 d max. in mm steps (H7)	see "Dimensions", value Ødv see "Dimensions"
Keyway	OP JS9 P9	D without keyway light seat tight seat	according to DIN 6885 T1, only with hub material VA + A according to DIN 6885 T1, only with hub material VA + A
Pinhole (only without keyway)	OS ...	E without pinhole diameter "Ø"/measure "f" (e.g., 3.8/10) others on request	see table "Special versions", depending on handwheel type, only if hub thread "ONG"
Hub thread	ONG ...	F without hub thread thread "n"/measure "f" (e.g., M4/12) others on request	see table "Special versions", depending on handwheel type, only if pinhole "OS", only with hub material VA + A
Hub turned down	OAN	G without turned-down hub others on request	
Position indicator mounted (*)	PM PS	H position indicator mounted separate position indicator	

\* separate order of a position indicator required (see pages 74-82)

### Order code



Scope of delivery: HG...

#### Accessories:

End plate

Page 103

#### Additional information:

General information and areas of application

Page 68 cont.