

## Key Features

- New and retrofit installations
- Straightforward installation (drill and tap)
- No additional brackets or hardware needed
- Heavy-duty, long-life sealed bearing
- Assembly moves with the shaft, compensating for typical shaft movement and vibration
- Can be used with optional Mounting Magnet if shaft is not tapped



## Description

The EZ-SCP makes speed monitoring easier and more cost-effective. This bracket assembly includes a heavy-duty, long-life sealed bearing, a stainless steel shaft, a painted aluminum bracket, and comes with all other necessary hardware for installation.

The EZ-SCP allows the speed switch to be mounted quickly and easily, and is compatible with Electro-Sensors' SCP1000 and SCP2000 Speed Switches. Simply center drill and tap the shaft end for a 1/2"-13 thread, and turn the EZ-SCP bracket assembly onto the shaft. The speed switch assembly easily mounts to the EZ-SCP bracket assembly with the supplied U-bolt.

## Mounting

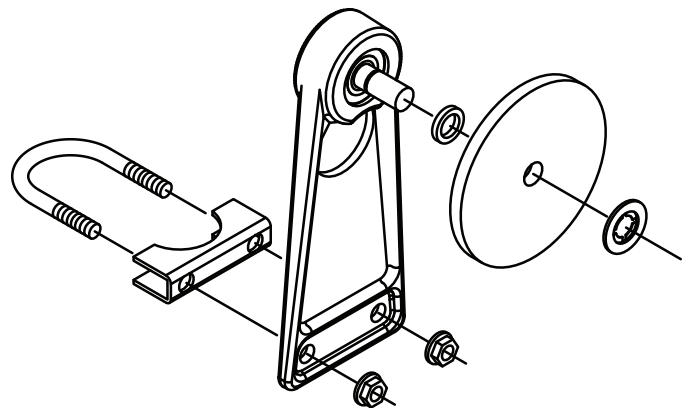
Mount the speed switch to the EZ-SCP bracket assembly. Place the sensing extension of the switch housing through the large hole in the EZ-SCP bracket. Place the open ends of the U-bolt around the base of the SCP switch housing and through the two smaller holes on the bracket. Tighten the lock nuts firmly. The gap distance between the Pulser Disc and sensing face should be approximately 1/4".

## Installation

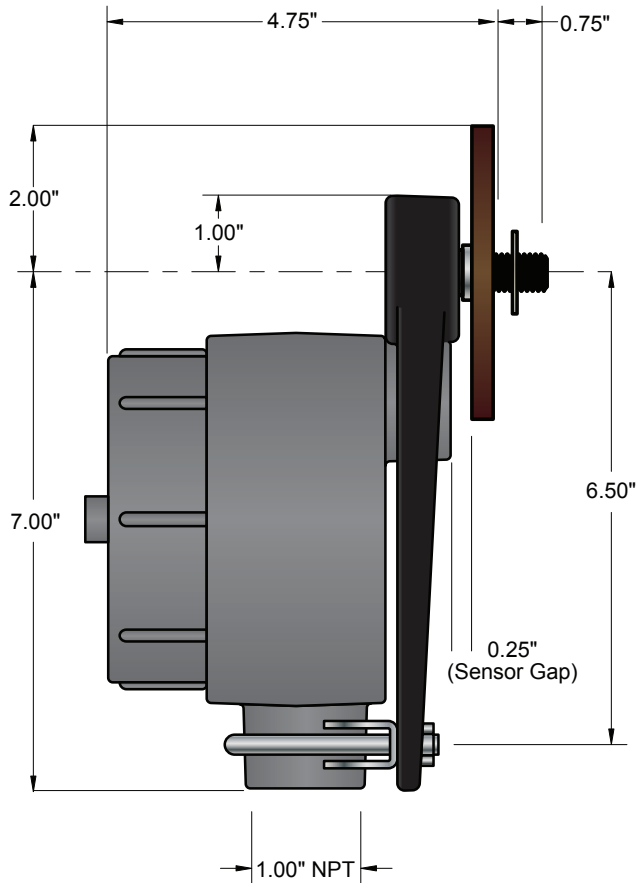
Install the EZ-SCP bracket assembly on to the shaft to be monitored. Center-drill the shaft with a 27/64" drill to a depth of approximately 1", then tap for a 1/2"-13 UNC-2A thread to a depth of at least 3/4" full threads. After drilling and tapping the shaft, apply Loctite® or a similar adhesive to the screw threads and screw the EZ-SCP bracket assembly securely onto the end of the shaft. Torque the mounting shaft firmly (7 foot-pounds max.).

**NOTE:** Installing the EZ-SCP bracket assembly on a shaft that is not center drilled and tapped accurately will greatly reduce the life of the system. Electro-Sensors recommends using flexible conduit (XP if necessary) to secure the speed switch or sensor housing via the 1" NPT opening. Flexible conduit will allow the EZ-SCP bracket assembly to move with the shaft, compensating for typical shaft movement and vibration, and avoid binding on the bearing.

## Exploded view of Standard EZ-SCP Mounting Bracket Assembly



### EZ-SCP Dimensional Drawing



### EZ-SCP Specifications

<b>Body</b>	
Material	Aluminum (356-T6)
Finish	Black Powder Coat
<b>Shaft</b>	
Material	Stainless Steel (303)
Thread Size	1/2"-13 UNC 2A
Hex Wrench Size	3/8"
<b>Pulser Disc</b>	
Standard	Model 255-EZ
Material	Nylon 12 (Standard)
Optional Materials	Aluminum, PVC, Stainless Steel
Pulses Per Revolution	8 (Standard) Options Available
<b>Bearing</b>	
Type	Radial, Sealed (Designed for Radial and Thrust Loads)
<b>Operation</b>	
Maximum Speed	Recommended for speeds up to 300 RPM (contact factory about using at higher speeds)
Operating Temperature	-40 °C to +60 °C -40 °F to +140 °F
<b>Environment</b>	
The EZ-SCP is NOT recommended for use where caustic chemicals will be used for wash-down of machinery	

*Specifications subject to change without notice.*

### Ordering

Model Description	Part Number
EZ-SCP Mounting Bracket Assembly - Standard (Includes 255-EZ Pulser Disc and U-Bolt)	810-000005

### Spare Parts

Model Description	Part Number
255-EZ Pulser Disc (Nylon, 16 Magnets)	700-000206
255A-EZ Pulser Disc (Aluminum, 16 Magnets)	700-001502
232-EZ Pulser Disc (PVC, 32 Magnets)	700-001404
232A-EZ Pulser Disc (Aluminum, 32 Magnets)	700-001403

### Options

Model Description	Part Number
MM-2.00 EZ Mounting Magnet (Must be Used with EZ-SCP Mounting Bracket)	810-000050
EZ-Mount Disc Guard (for 4" Discs)	725-005600

### Customization

If one of our standard products does not meet your specifications, please call one of our applications specialists. Many of our products can be customized to fit specific needs.

### Additional Information

Please call Electro-Sensors for more information.