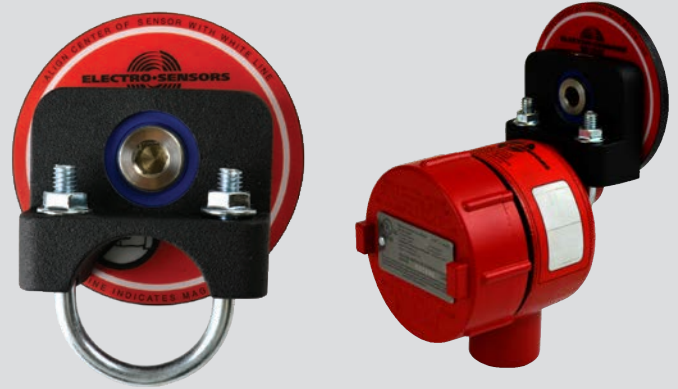


Key Features

- New and retrofit installations
- Straightforward installation (drill and tap)
- No additional brackets or hardware needed
- Heavy-duty, long-life sealed bearing
- Assembly moves with the shaft, compensating for typical shaft movement and vibration
- Can be used with optional Mounting Magnet if shaft is not tapped



Description

The EZ-100 makes speed monitoring easier and more cost-effective. This bracket assembly includes a heavy-duty, long-life sealed bearing, a stainless steel shaft, a painted aluminum bracket, and comes with all other necessary hardware for installation.

The EZ-100 allows a shaft speed switch or speed sensor to be mounted quickly and easily by simply drilling and tapping the shaft end for a 1/2" - 13 thread, and turning the EZ-100 bracket assembly onto the shaft. The speed sensor or speed switch easily mounts to the EZ-100 bracket assembly with the supplied U-bolt.

Compatibility

Shaft Speed Switches	Shaft Speed Sensors
• M100T	• 907 XP
• FB420	• 917 XP
• M100	• SpeedTalker-DN(XP)

Mounting

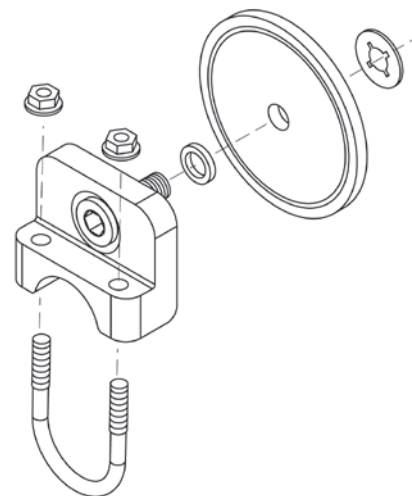
Mount the speed switch or speed sensor to the EZ-100 bracket assembly. Put the sensing extension of the housing between the concave edge of the bracket and the provided U-bolt. Place the open ends of the U-bolt through the holes on the bracket and tighten the lock nuts firmly. The gap between the Pulser Disc and sensing face should be approximately 1/4".

Installation

Center-drill the end of the shaft with a 27/64" drill to a depth of approximately 1", then tap for a 1/2" - 13 UNC 2A thread to a depth of at least 3/4" full threads. After drilling and tapping the shaft, apply Loctite® or a similar adhesive to the screw threads and screw the EZ-100 bracket assembly securely onto the end of the shaft. Torque the mounting shaft firmly (7 foot-pounds max).

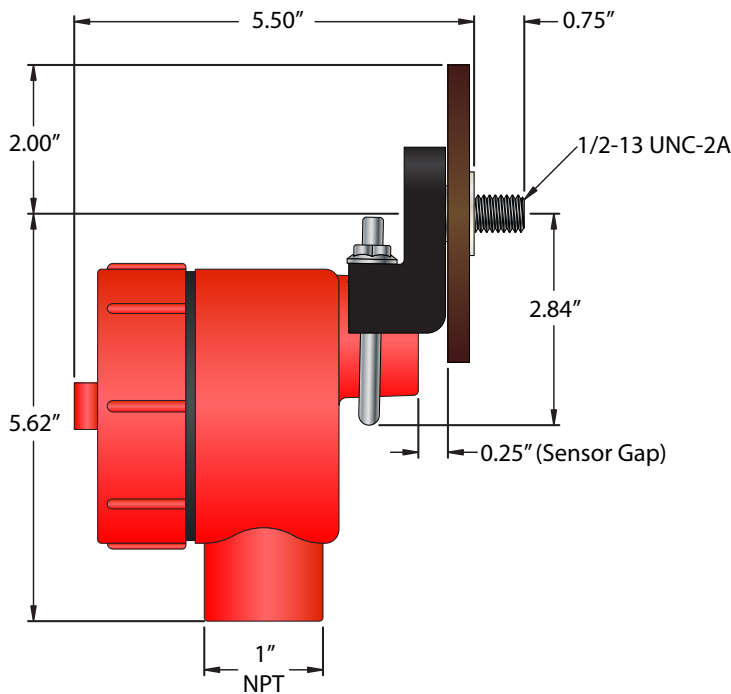
NOTE: Installing the EZ-100 bracket assembly on a shaft that is not center drilled and tapped accurately will greatly reduce the life of the system. Electro-Sensors recommends using flexible conduit (XP if necessary) to secure the speed switch or sensor housing via the 1" NPT opening. Flexible conduit will allow the EZ-100 bracket assembly to move with the shaft, compensating for typical shaft movement and vibration, and avoid binding on the bearing.

Exploded view of Standard EZ-100 Mounting Bracket Assembly



EZ-100 Dimensional Drawing

Drawing depicts EZ-100 with M100T, FB420, or SpeedTalker-(DN)XP (Also compatible with 907 XP, M100, 917 XP)



EZ-100 Specifications

Body	
Material	Aluminum (6061-T6)
Finish	Black Powder Coat
Shaft	
Material	Stainless Steel (303)
Thread Size	1/2" - 13 UNC 2A
Hex Wrench Size	3/8"
Pulser Disc	
Standard	Model 255-EZ
Material	Nylon 12 (Standard)
Optional Materials	Aluminum, PVC, Stainless Steel
Pulses Per Revolution	8 (Standard) Options Available
Bearing	
Type	Radial, Sealed (Designed for Radial and Thrust Loads)
Operation	
Maximum Speed	Recommended for speeds up to 300 RPM (contact factory about using at higher speeds)
Operating Temperature	-40° C to +60° C -40° F to +140° F
Environment	
The EZ-100 is NOT recommended for use where caustic chemicals will be used for wash-down of machinery	

Specifications subject to change without notice.

Ordering

Model Description	Part Number
EZ-100 Mounting Bracket Assembly - Standard (Includes 255-EZ Pulser Disc and U-Bolt)	810-000001
EZ-100 Mounting Bracket Assembly (Includes U-Bolt Only, No Pulser Disc)	810-000036

Spare Parts

Model Description	Part Number
255-EZ Pulser Disc (Nylon, 16 Magnets)	700-000206
255A-EZ Pulser Disc (Aluminum, 16 Magnets)	700-001502
232-EZ Pulser Disc (PVC, 32 Magnets)	700-001404
232A-EZ Pulser Disc (Aluminum, 32 Magnets)	700-001403

Options

Model Description	Part Number
MM-2.00 EZ Mounting Magnet (Must be Used with EZ-100 Mounting Bracket)	810-000050
EZ-Mount Disc Guard (for 4" Discs)	725-005200
EZ-Mount Lower Disc Guard (for 4" Discs)	725-005201

Customization

If one of our standard products does not meet your specifications, please call one of our applications specialists. Many of our products can be customized to fit specific needs.

Additional Information

Please call Electro-Sensors for more information.