

Features

- Direct connection to HazardPRO node
- Fixed cable with M12 connector included
- 2-wire (current loop type)
- Installs using EZ 1 Magnet bracket assembly
- Optional mounting magnet
- Optional stainless steel jacketed cable



Polyurethane Cable



Stainless Steel Jacket Over Polyurethane Cable

Description

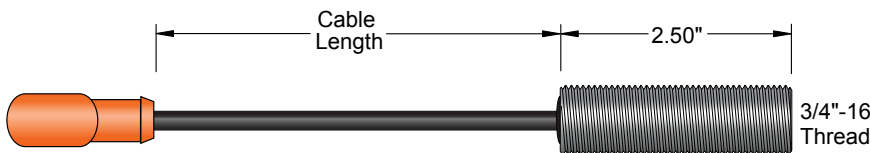
HazardPRO shaft RPM sensors connect directly to the HazardPRO transmitter node as an integral part of the hazard monitoring system. The user installs the sensor and connects it to the node, no user calibration is required.

Application

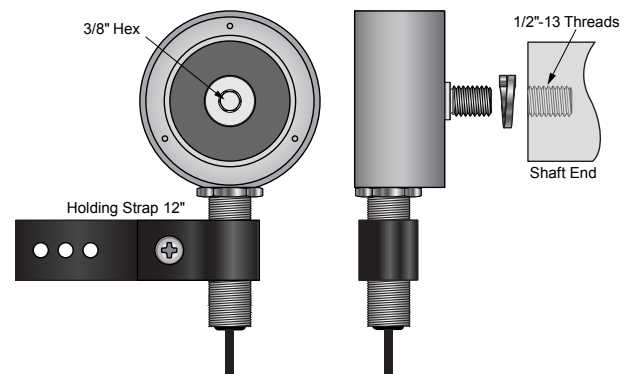
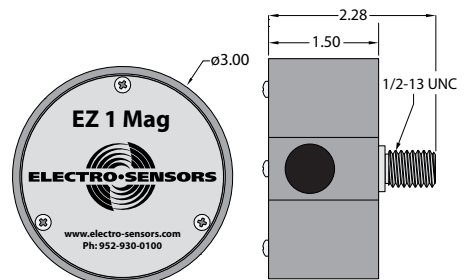
The shaft RPM sensor is typically mounted to the tail shaft of the machine being monitored. The sensor is mounted in the EZ 1 Magnet mounting bracket assembly, which attaches to the tail shaft with a 1/2"-13 UNC tapped hole.

Dimensions

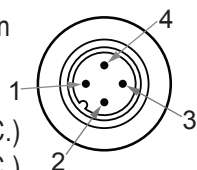
▼ Standard Polyurethane Cable



▼ Optional Stainless Steel Jacketed Cable



HazardPRO Shaft RPM Sensor

Specifications	
V =	5 - 30 VDC
I =	1 mA
Pulse Output	1 Pulse Per Revolution
Operating Temperature (Ambient)	-25 °C → +75 °C (-13 °F → +167 °F)
Sensor Material	Aluminum
Cable Material	Standard: Polyurethane Optional: Stainless Steel Jacketed Polyurethane
Cable Connector	M12, 4-pin pin 2 (+) pin 4 (-) pin 1 (N.C.) pin 3 (N.C.) N.C. = not connected 
Speed Range	8-500 RPM (EZ1 - 300 Max)

Specifications subject to change without notice.

Ordering

Cables	Part Number
Polyurethane Jacket (3 Meter)	775-007029
Stainless Steel Jacketed Polyurethane (3 Meter)	775-007030

Extension Cables	Part Number
Polyurethane Jacket (2 Meter)	775-007140
Polyurethane Jacket (5 Meter)	775-007142
Polyurethane Jacket (10 Meter)	775-007144
Stainless Steel Jacketed Polyurethane (2 Meter)	775-007141
Stainless Steel Jacketed Polyurethane (5 Meter)	775-007143
Stainless Steel Jacketed Polyurethane (10 Meter)	775-007145

I.S. Entity Parameters	
Ui	21 V
Ii	21 mA
Pi	0.11 W
Ci	0 µF
Li	0 µH



Intertek

Class II, Div 1, Groups E, F, G, Class III, Div 1
Zone 20, AEx ia IIIC T100 °C Da T5
-25 °C ≤ Ta ≤ 75 °C Type 4X, IP65
Install per user's manual (990-006600)
and control drawing (990-006700)

Accessories

Easy Mounting Options	Part Number
EZ 1 Mag Mounting Bracket Assembly	810-000046
MM-1.25 Mounting Magnet	810-000060



MM-1.25 Mounting Magnet Option

Customization

If one of our standard products does not meet your specifications, please call one of our applications specialists. Many of our products can be customized to fit specific needs.

Additional Information

For more information about HazardPRO shaft RPM sensors, please contact Electro-Sensors.