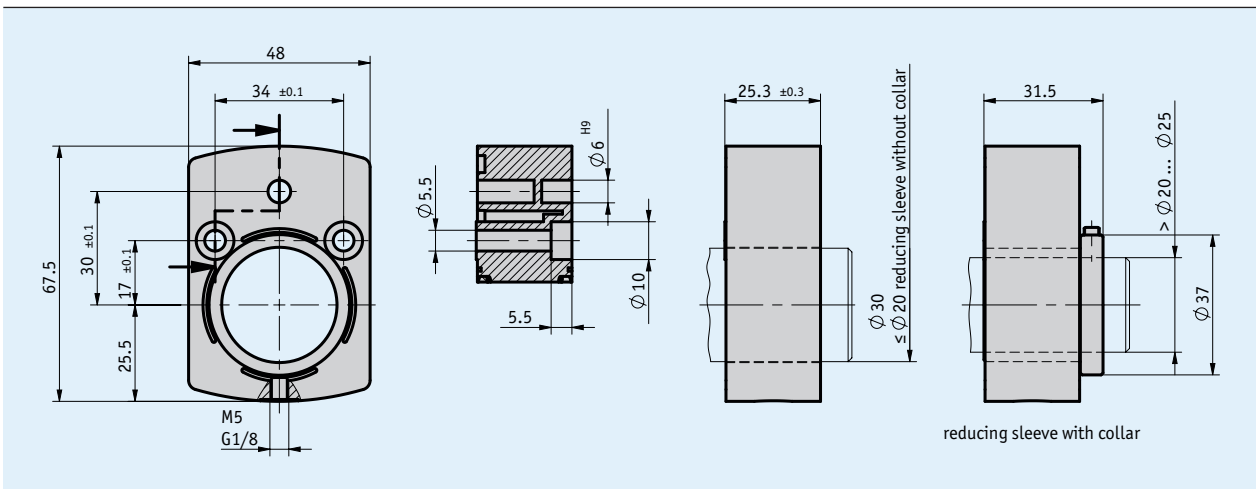


Profile

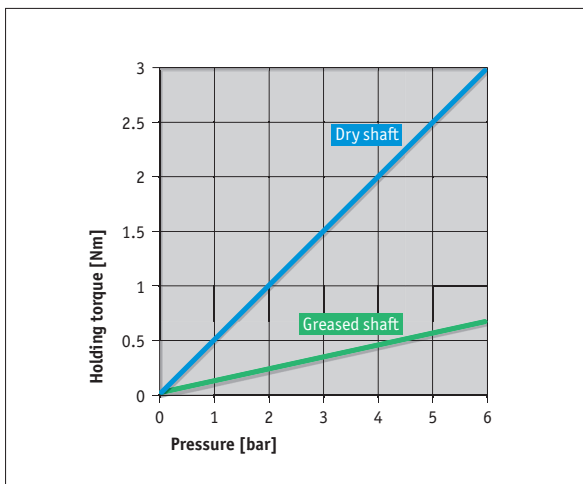
- Pneumatic clamping plate for shaft clamping
- Selectable sizes of the compressed-air connection
- Easy mounting and retrofitting



Mechanical data

Feature	Technical data	Additional information
Housing	zinc die-cast	
Weight	~0.25 kg	

■ Achievable holding torque



Order

Ordering table

Feature	Ordering data	Specification	Additional information	
Bore/diameter	30	A ø30 mm		
	...			RH14, RH20, RH25
				others on request
Compressed air connection	G1/8	B G1/8 thread		
	M5			M5 thread

Order key

KP09P - -

Scope of delivery: KP09P