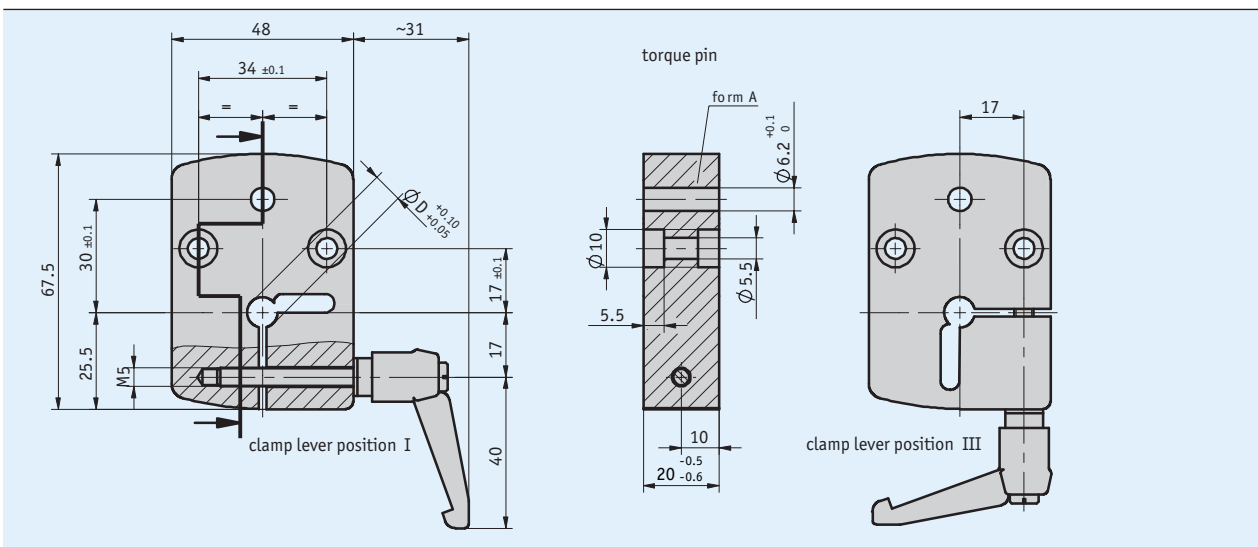


## Profile

- For shaft diameters 8 ... 20 mm
- Selectable clamp lever position
- Easy mounting and retrofitting



## Mechanical data

Feature	Technical data	Additional information
Housing	anodized aluminum	
Clamping lever	plastic, engaging	

## Order

### Ordering table

Feature	Ordering data	Specification	Additional information
Bore/diameter	...	<b>A</b> 8, 10, 12, 14, 15, 16, 18, 20 in mm others on request	
Clamp lever/position	<b>I</b> <b>III</b>	<b>B</b> position I position III	

### Order key

KP09 -    -    -    A

A                  B

Scope of delivery: KP09