

Superior • Systems • Solutions



DMS-SERIES DIN-Rail Mountable Speed Switch

- Easy installation and calibration
- Set point ranges: 5 - 5000 RPM available
- 115/230 VAC, also available in 12 VDC / 24 VDC models
- Works with NPN, PNP, Mag Sensor and Logic Level Sensor Inputs
- Dual setpoints for under or overspeed monitoring
- DIN-Rail mountable speed switch module
- Economical, reliable shaft speed monitoring

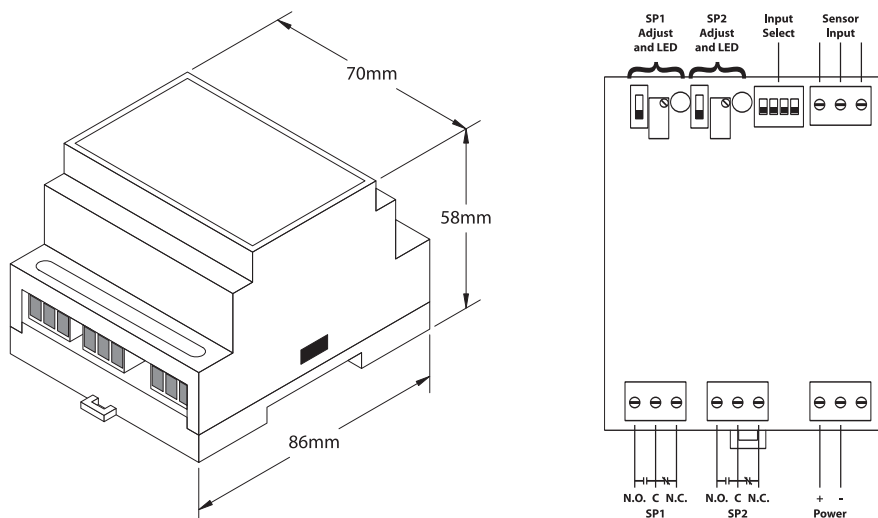
Product Information

Description

The DMS-Series speed switch is an economical choice designed primarily for OEM use on machinery requiring shaft speed monitoring. Housed in a compact plastic enclosure, it mounts on a standard 35 mm DIN rail and operates on 115/230 VAC with optional DC units available. The unit is switch selectable for NPN, PNP, mag sensor and logic level sensor inputs. Two models offer setpoint ranges from 5 - 5000 RPM. The setpoints are adjustable via two (2) 25-turn potentiometers located under the housing cover. Both setpoints are switch selectable for over- or under-speed operation. A viewable LED indicates the relay status for easy trouble shooting. The DMS-Series is typically used to detect a slowdown on conveyors, fans, blowers and other machinery where a reduction in shaft speed rotation could adversely affect plant operations.

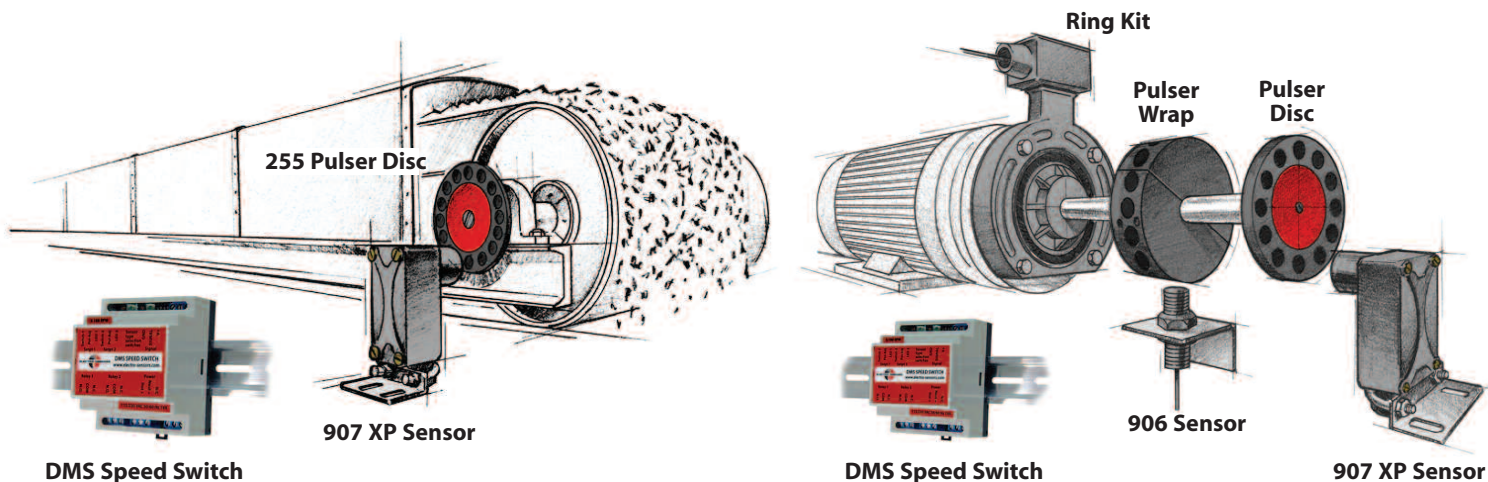
Electro-Sensors' Speed Switches bring efficiency and safety to your operations by preventing machine damage, product waste and costly downtime.

Dimensional Drawings • DMS-Series Din-Rail Mountable Speed Switch



Applications • DMS-Series

The versatile **DMS-Series** speed switch, shown below working with a variety of Electro-Sensors' Hall-effect sensors, is also compatible with NPN, PNP, mag sensor and logic level sensor inputs.



The **DMS-Series** speed switch, designed primarily for OEM use, is the ideal choice for reliable, low-cost shaft speed monitoring on the following types of machinery:

- Fans/Blowers
- Industrial Ovens
- Dryers
- Belt Conveyors
- Screw Conveyors
- Motors
- Pumps
- Rotary Airlocks

Specifications • DIN-Rail Mountable Speed Switch

General Specifications

Power

AC Models	115/230 VAC ± 10%
	50/60 Hz 1.0 VA
12 VDC Models	+ 12VDC ±10% 80mA
24VDC Models.....	+ 24VDC ± 10% 80mA

Set Point

2 SPDT Relays Isolated	
Contacts	250VAC @ 5A Resistive + 30 VDC @ 5A Resistive
Set Point Adjustment.....	(2) 25 turn potentiometers
Under/Over Speed.....	Individually selectable
Setpoint Hysteresis	3% ± 1%
Set Point Accuracy	± 0.5%
Mounting	35 mm DIN Rail
Electrical Connections.....	Terminal Block

Housing & Cover

Base	Noryl
Housing	Lexan

Sensing Head

Power	20 mA maximum
Type	Switch Selectable NPN, PNP, Mag Sensor, Logic Level

Adjustment Range

DMS100.....	5 RPM to 100 RPM with 8 PPR input
DMS5000	100 RPM to 5000 RPM with 4 PPR input
Operating Temp	0° to +50° C

Specifications subject to change without notice.

ES-350 Rev B