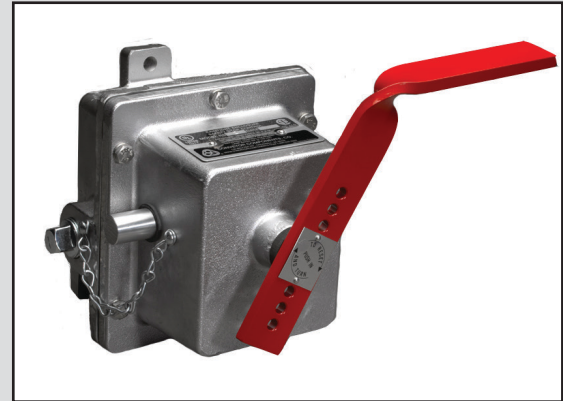


### Key Features

- Provides quick shut down to Conveyors
- Provides personnel Protection
- Keeps Damage costs Low
- Each unit can cover up to 200 ft. of conveyor.
- Ambidextrous switch for all Personnel
- Safety switch Cable break detection



### Description

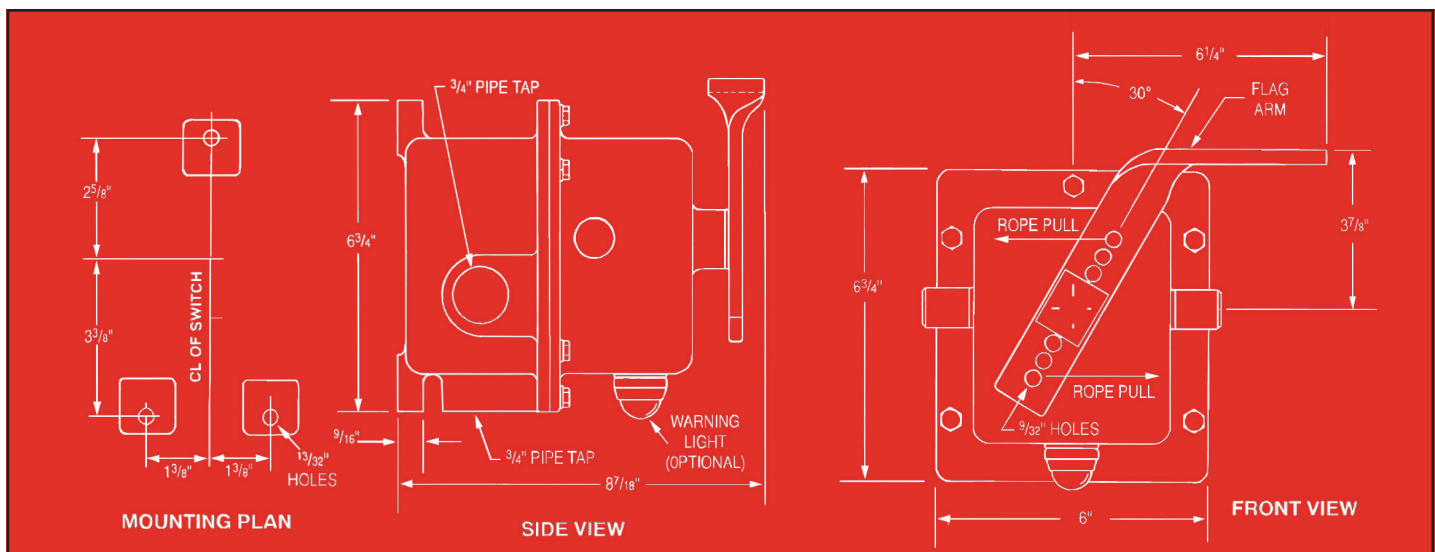
The RSB is designed to act as an emergency stop pull cord control on conveyors and other moving machinery, it incorporates broken cable detection. The Model RSB has extension springs, attached to opposite ends of the pull cable, which maintain the cable under constant tension. The RSB is mounted so that it is centered between the end springs. In this way, temperature changes, which cause cable length changes, are canceled out. The operating handle is held in the center vertical position with the internal switch in a normally closed condition. If the cable is pulled or the cable breaks, the handle rotates to release the switch lever. In this way, the alarm signal is generated for either condition. The operating handle must be manually reset back to the center position after the issue has been corrected.

### Principle of Operation

The Actuator inside the Model RSB is activated through the red lever, this in turn activates a micro switch which will perform an emergency shutdown on the system which it is wired to. This can include an alarm if so desired, as well as an indication light that shows whether a actuator has been activated. This permits easy detection in low visibility areas. The RSB provides an efficient way to protect equipment that has the potential to become a hazard.

### Mounting

The Model RSB has three screw mounts on the bottom of the housing. The holes allow the switch to be mounted on a vertical surface so that the switch is turned either clockwise, or counter-clockwise.



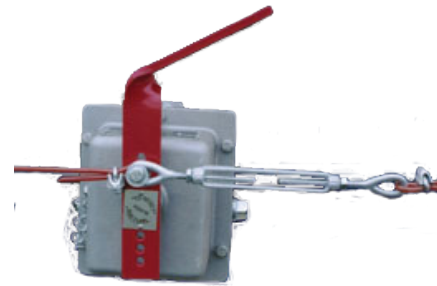
\*RSB Dimensional Drawing

### Specifications

Product	
Weight	12 Lbs
Environment	
Certified Ambient Temperature	0 to 40 °C [32 to 104 °F]
Functional Ambient Temperature	-50 to 85 °C [-58 to 185 °F]
Enclosure Material	319 cast aluminum
Enclosure Rating (UL)	NEMA Type 1, 3, 3R, 4, 4X
Enclosure Rating (CSA)	NEMA Type 3, 4, 4X
Mounting	3 10mm mounting holes
Switch	
Switch Type	SPDT x1
Contact Type	Dry Contact
Contact Rating (UL)	20A @ 125V, 250V or 480V AC; 1 hp @ 125V AC; 2 hp @ 250V AC
Contact Rating (CSA)	20A @ 125V, 250V or 480V AC; 1 hp @ 125V AC; 2 hp @ 250V AC; ½ A @ 125V DC; ¼ A @ 250V DC
Electrical Action	Latching (via actuator)
Electrical Connection	¾" NPT x 3
Actuator	
Cable Length	100 feet on each side (Max)
Cable Material	galvanized aircraft cable

### Product Certification

Standard	Class	Division	Group(s)
UL 508	N/A	N/A	N/A
CSA 3211-06	N/A	N/A	N/A



*\*RSB with Cable Break Detection*

### Ordering

Model Number	Part Number
RSB	800-003300

*\*For other part numbers please contact Sales Dept.*

### Complete System Includes

- Safety Switch
- 10ft of cable (per unit)

### Options and Accessories

Option	Picture
Orange nylon coated Cable	
Orange vinyl coated cable	
Mounting Bracket	
Cable Support Eyebolt, 1/2" x 6" Plated	
Cable End Fitting/ Cable Clamp (each)	

### Common Applications

- Conveyors
- Production Lines
- Assembly Lines
- Material Handling

### Typical Industries

- Grain
- Manufacturing
- Mining
- Construction

