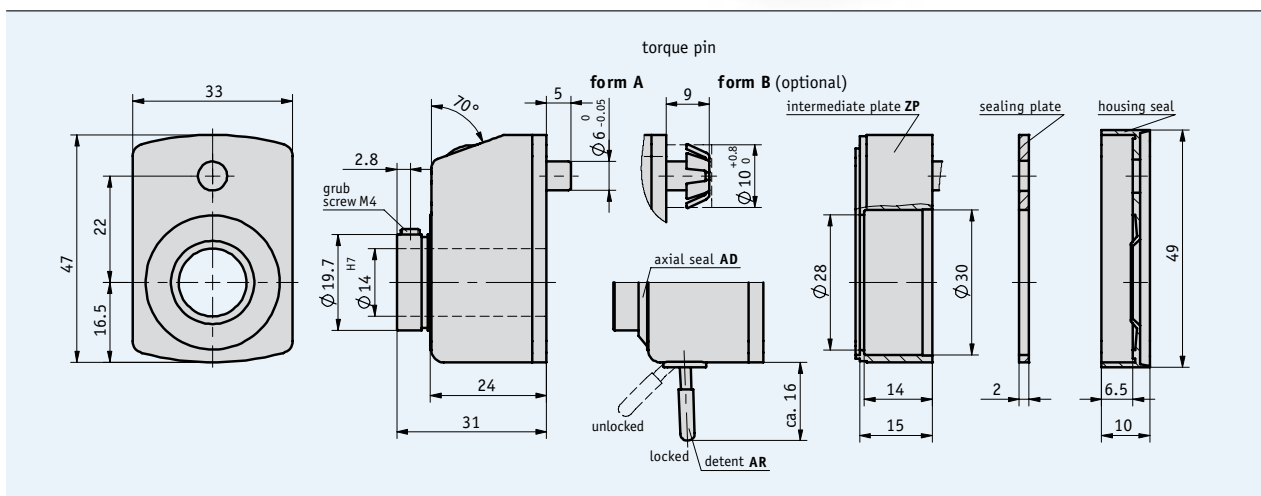


Profile

- Hollow shaft, max. Ø 14 mm
- Counter with 4 decades and fine reading
- Detent as an option
- Magnifying function for good readability
- Stainless-steel driving shaft as an option
- Axial seal, dustproof and hose-proof
- Clamping plate (see accessories)



1.1



Mechanical data

Feature	Technical data	Additional information
Counter	4 decades, fine reading	
Digit height	approx. 6 mm	
Housing	plastic, reinforced	
Window	plastic	optional mineral glass
Weight	0.05 kg	
Ambient temperature	max. +80 °C	

Max. speed

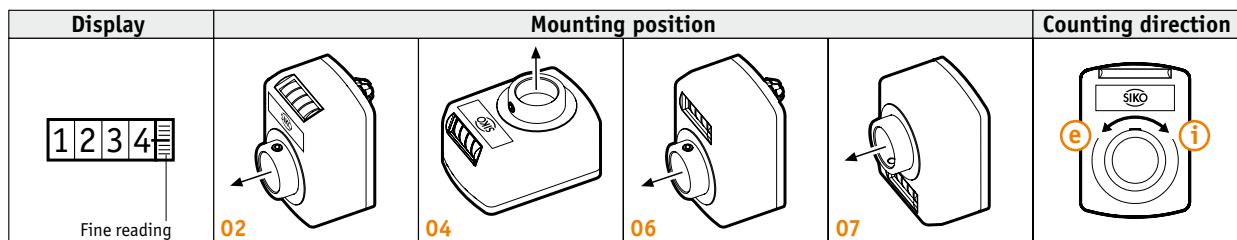
Indication after 1 st revolution	Max. speed (rpm)
0010	500 (1500)
0015	500 (1000)
0020	500 (750)
0025	500 (600)
0030	500
0040	375
0050	300
0060	250
0080	180
0100	150

$$\text{Formula for max. speed} = \frac{15\,000}{\text{Indication after 1}^{\text{st}} \text{ revolution}}$$

Speeds >500 rpm must only be run for short periods.

Order

Design



Note: Characters highlighted in orange color are order features

Order table

Feature	Order data	Technical data	Additional information
Design/mounting position	... A	02, 04, 06, 07	see the icons illustrating the mounting positions
Indication after 1 st revolution	... B	10, 12/5, 15, 17/5, 20, 25, 30, 35, 40, 50, 60, 80, 100 others on request	/5 = arithmetical value not displayed
Decimal place	0 1 2 3 C	0 = 0000 1 = 000.0 2 = 00.00 3 = 0.000	
Counting direction = ascending values	i e D	clockwise counter-clockwise	
Hollow shaft/diameter (mm) E	14, 12.7, 15, 16 VA5, VA10, VA14, VA15 RH4, RH6, RH8, RH10, RH12	stainless steel reducing bush
Housing color	0 S GR FR F	orange RAL 2004 black RAL 9005 gray RAL 7035 blazing red	
Seal	OAD AD GD G	without additional seal with axial seal with axial and housing seal	
Detent/hollow shaft	OAR AR H	without detent with detent	anti-vibration protection M ~ 20 Ncm
Intermediate plate	OZP ZP I	without intermediate plate with intermediate plate	not with seal „GD“

Order code

DA04 - - - - - - - - A - K - - - - BP - ORP

Scope of delivery: DA04

Accessories:

Reducing bushes
Clamping plate KP04

Page 108
Page 102

Additional information:

General information and areas of application

Page 8 cont.