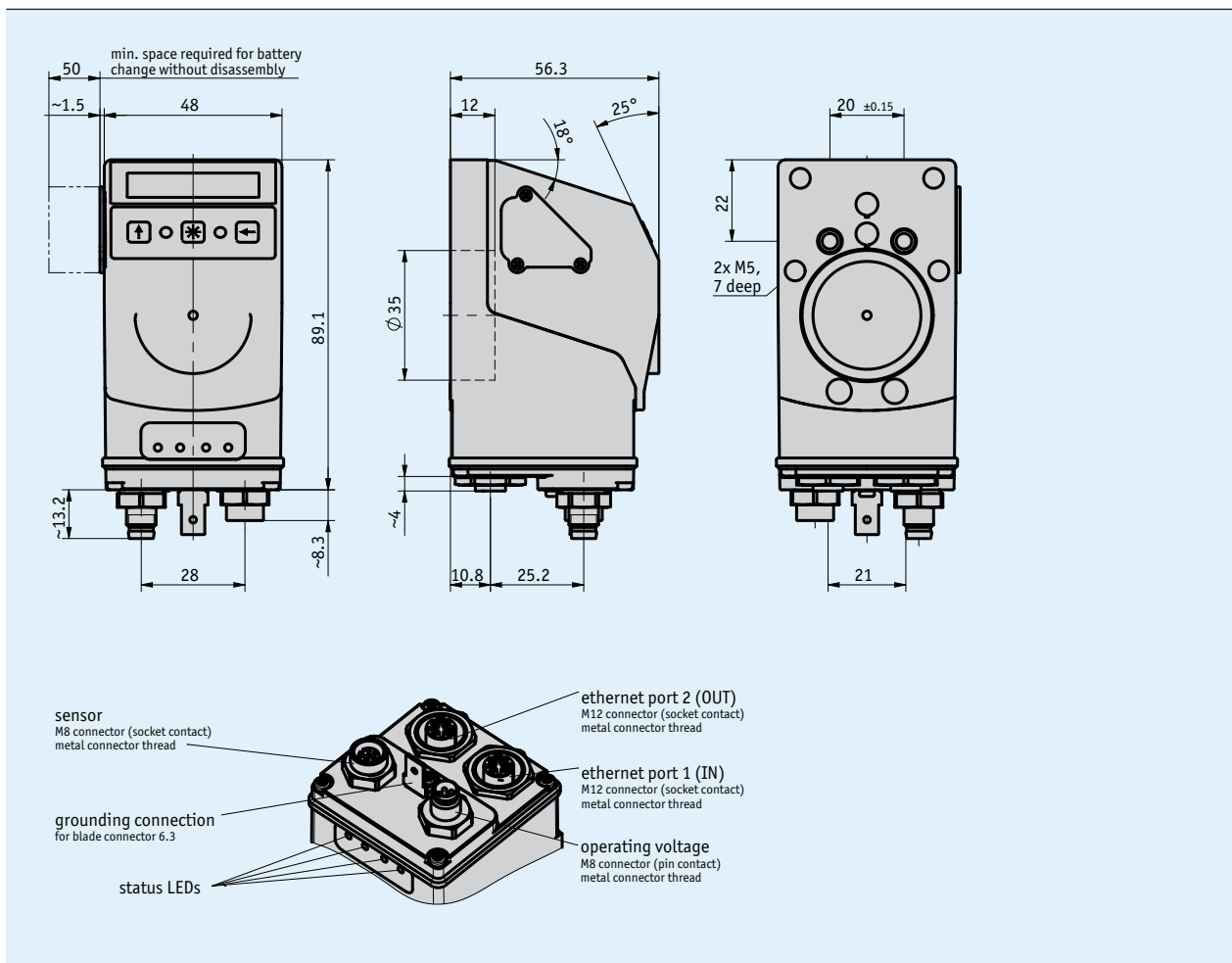


Profile

- Electronic position indicator with plug connection for magnetic sensor
- Integrated Industrial-Ethernet-Fieldbus
- Backlit two-row LCD
- Display of target and actual value displays with integrated alignment
- Display accuracy up to 0.01 mm
- Absolute function via internal backup
- Robust sensor technology unit thanks to magnetic scanning
- User guidance through status LEDs
- IP53 type of protection, IP65 as an option



Mechanical data

Feature	Technical data	Additional information
Housing	reinforced plastic	plug thread, nickel-plated brass/cover, metal ground connection
Color	black	
Weight	~0.2 kg	

Electrical data

Feature	Technical data	Additional information
Operating voltage	24 V DC $\pm 20\%$	reverse polarity protected
Current consumption	~100 mA	
Battery service life	~8 year(s)	
Parameter storage	10 ⁶ cycles	also applies to calibration operations
Display/display range	6-digit LCD 14-segment, ~8 mm high -199999 ... 999999	decimal points, 2 rows, special characters (backlit LED red/white) expanded display area to -999999
Special character	cw arrow, ccw arrow, incremental measurement, battery	
Status display	2x two-color LED (red/green)	position status, configurable
Keys	incremental measurement function, parameterizing, resetting	
Interface	Ethernet/IP PROFINET EtherCAT POWERLINK	
Type of connection	1x M8-plug connector (A-coded) 1x M8-plug connector (A-coded) 1x M12-plug connector (D-coded) grounding via flat plug 6.3 mm	4-pole, 1x pin 6-pole, 1x socket (sensor) 4-pole, 2x socket

System data

Feature	Technical data	Additional information
Scanning	external sensor	
Resolution	0.01 mm 720 increments/revolution	use with MS500H displayed value/revolution freely configurable (use with GS04)
System accuracy	$\pm 35 \mu\text{m}$	use with MS500H
Measuring range	$\pm 10485 \text{ m}$ $\leq 233016 \text{ revolution(s)}$	use with MS500H use with GS04

Ambient conditions

Feature	Technical data	Additional information
Ambient temperature	0 ... 60 °C	
Storage temperature	-20 ... 80 °C	
Relative humidity		condensation inadmissible
EMC	EN 61326-1	industrial immunity requirements, class B emission limit
Protection category	IP53 IP65	EN 60529, with mating connector only EN 60529, with mating connector only
Shock resistance	500 m/s ² , 11 ms	EN 60068-2-27
Vibration resistance	100 m/s ² , 5 ... 150 Hz	EN 60068-2-6

Pin assignment

■ Ethernet

Signal	PIN
Tx+	1
Rx+	2
Tx-	3
Rx-	4

■ Operating voltage

Signal	PIN
reserved	1
reserved	2
+UB	3
GND	4

Order

Ordering information

One or more system components are required:

Magnetic sensor MS500H
Hollow shaft sensor GS04

www.siko-global.com
www.siko-global.com

Ordering table

Feature	Ordering data	Specification	Additional information
Interface/protocol	ECT	EtherCAT	
	EIP		
	EPL	POWERLINK	
	EPN	PROFINET	
Protection category	IP53	IP53	
	IP65	IP65	
Viewing window	SF	front foil	impact protection
	K	plastic	

Order key

AP20S - A - B - C - S

Scope of delivery: AP20S, Mounting instructions

Accessories:

Battery unit ZB1027

Cable extension KV04S1

Mating Connector Overview

Mating connector, operating voltage, 4-pole, socket

Mating connector, port 1 + port 2, 4-pole, pin

Mating connector, port 1 + port 2, 4-pole, angular pin

Intermediate plate

www.siko-global.com

www.siko-global.com

www.siko-global.com

Order key 84209

Order key 87601

Order key 87600

Order key 89908