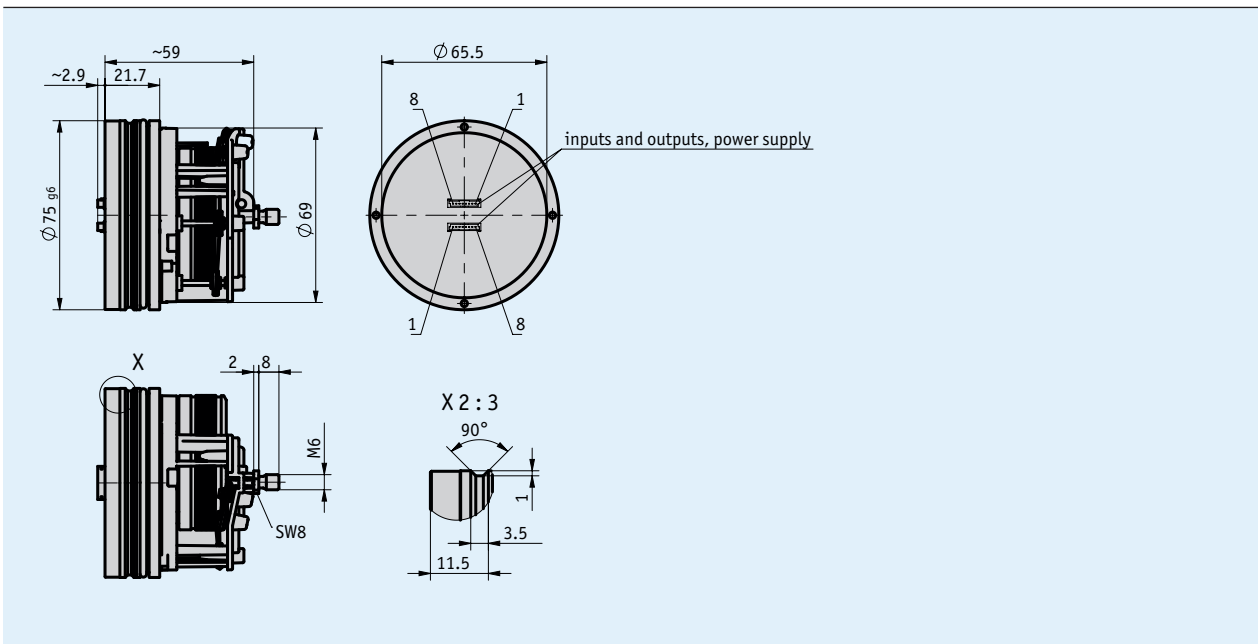
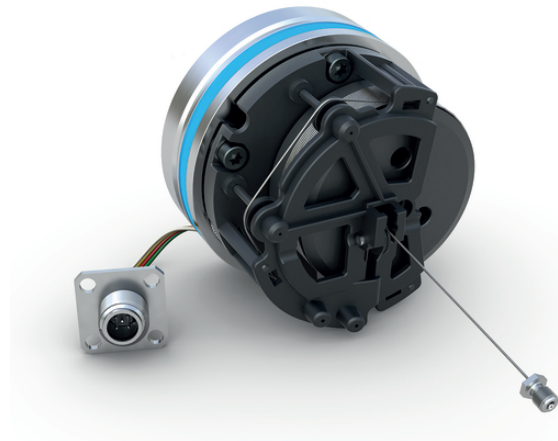


Profile

- Measuring range 0 ... 2500 mm (98.42 inches)
- Absolute measuring system
- Pressure-resistant up to 350 bar, pressure peaks up to 650 bar
- High degree of flexibility, adjustable to all measuring lengths thanks to teach-in
- Redundant interfaces available
- Safety version usable up to Performance Level d
- Analog, CANopen, SAE J1939, CANopen Safety interfaces



Mechanical data

Feature	Technical data	Additional information
Flange	aluminum	sealing ring (PUR)
Housing	synthetic	POM
Wire design	ø0.45 mm	steel rope (stainless)

Electrical data

■ Analog interface

Feature	Technical data	Additional information
Operating voltage	9 ... 32 V DC	with output 0 ... 5 V, 0.5 ... 4.5 V, 0.25 ... 4.75 V, 1.0 ... 4.9 V, reverse polarity protected
	12 ... 32 V DC	with output 0 ... 10 V, reverse polarity protected
	12 ... 32 V DC	with output 0 ... 20 mA, 4 ... 20 mA, but UB > Uload + 2.0 V, reverse polarity protected
Current consumption	<32 mA	without load
Power input	<0.5 W	without load
Digital inputs	2	limit inputs
Input signal level high	>8.4 V	
Input signal level low	<2.8 V	
Output voltage	0 ... 10 V	load current <10 mA
	0 ... 5 V	load current <10 mA
	0.5 ... 4.5 V	load current <10 mA
	0.25 ... 4.75 V	load current <10 mA
Output current	1 ... 4.9 V	load current <10 mA
	0 ... 20 mA	load ≤500 Ω
	4 ... 20 mA	load ≤500 Ω
	Type of connection	plug connection system

■ CANopen interface

Feature	Technical data	Additional information
Operating voltage	10 ... 30 V DC	reverse polarity protected
Power input	<0.8 W	
Interface	according to ISO 1189, not isolated	CANopen, CIA 406, CIA 301
Address	adjustable	per SDO or Layer Setting Service (LSS)
Baud rate	≤1 MBit/s	
Type of connection	plug connection system	KV1H accessory

System data

Feature	Technical data	Additional information
Scanning	magnetic	
Measuring range	2500 mm	measuring range flexibly usable between 0...2500 mm

Ambient conditions

Feature	Technical data	Additional information
Ambient temperature	-40 ... 105 °C	electronics
	-40 ... 105 °C	mechanics
Storage temperature	-40 ... 85 °C	
Relative humidity	100 %	condensation admissible in the mounted and plugged condition
Operating pressure	<350 bar	
Overload pressure	<650 bar	
Protection category	IP69K	built in the cylinder (IP69K), with KV1H and suitable mating connector