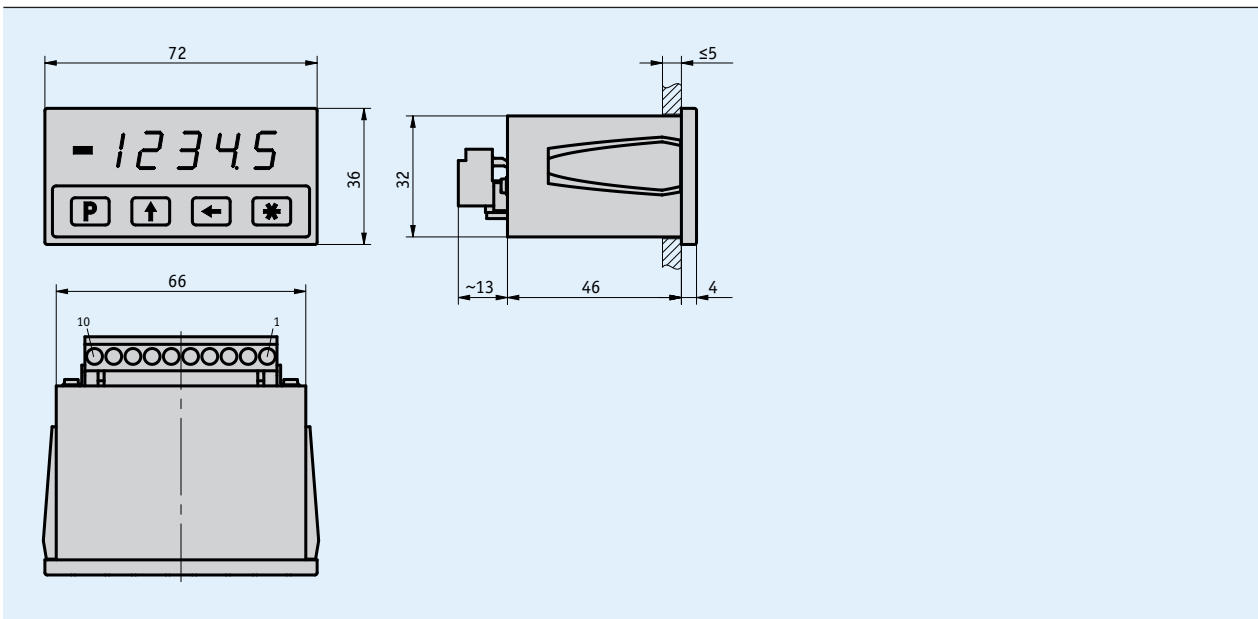


### Profile

- LED display (1 line of 5 digits)
- Input for incremental encoder recognition of the counting direction for length and angle measurement
- Free programming via front keyboard
- Non-volatile parameter storage (EEPROM)
- With reference connection
- Integrated quadruple evaluation of counting pulses
- Compact design



### Mechanical data

Feature	Technical data	Additional information
Housing	plastic, with clamping straps	switchboard cutout 68 <sup>+0.7</sup> x 33 <sup>+0.6</sup> IEC 61554
Weight	~0.1 kg	

### Electrical data

Feature	Technical data	Additional information
Operating voltage	24 V DC ±20 %	
Current consumption	~60 mA	at 24 V DC, without encoder
Encoder supply	24 V DC (200 mA)	
Encoder input frequency	≤25 kHz	
Encoder input	square-wave signals 90° phase-shifted, PP (push-pull), OE (open emitter)	with reference signal
Pulse analysis	4-fold	
Display/display range	5-digit, LED 7-segment, ~10 mm height, red	-99999 ... 99999
Keys	membrane keys with pressure point	
Type of connection	connector	10-pole

## Ambient conditions

Feature	Technical data	Additional information
Ambient temperature	0 ... 50 °C	
Storage temperature	-20 ... 80 °C	
Relative humidity	≤95 %	condensation inadmissible
EMC	EN 61000-6-2	interference resistance / immission
	EN 61000-6-4	emitted interference / emission
Protection category	IP40 whole device	EN 60529
	IP 60 on the front with switchboard installation	EN 60529

## Pin assignment

Signal	PIN
+ Ub encoder supply	1
A	2
B	3
I (I/O-signal)	4
GND, shield encoder supply	5
RFS	6
GND	7
PE	8
0 V	9
+24 V operating voltage	10

## Order

### Order key

MA55 - S

*Scope of delivery: MA55, Mounting instructions*