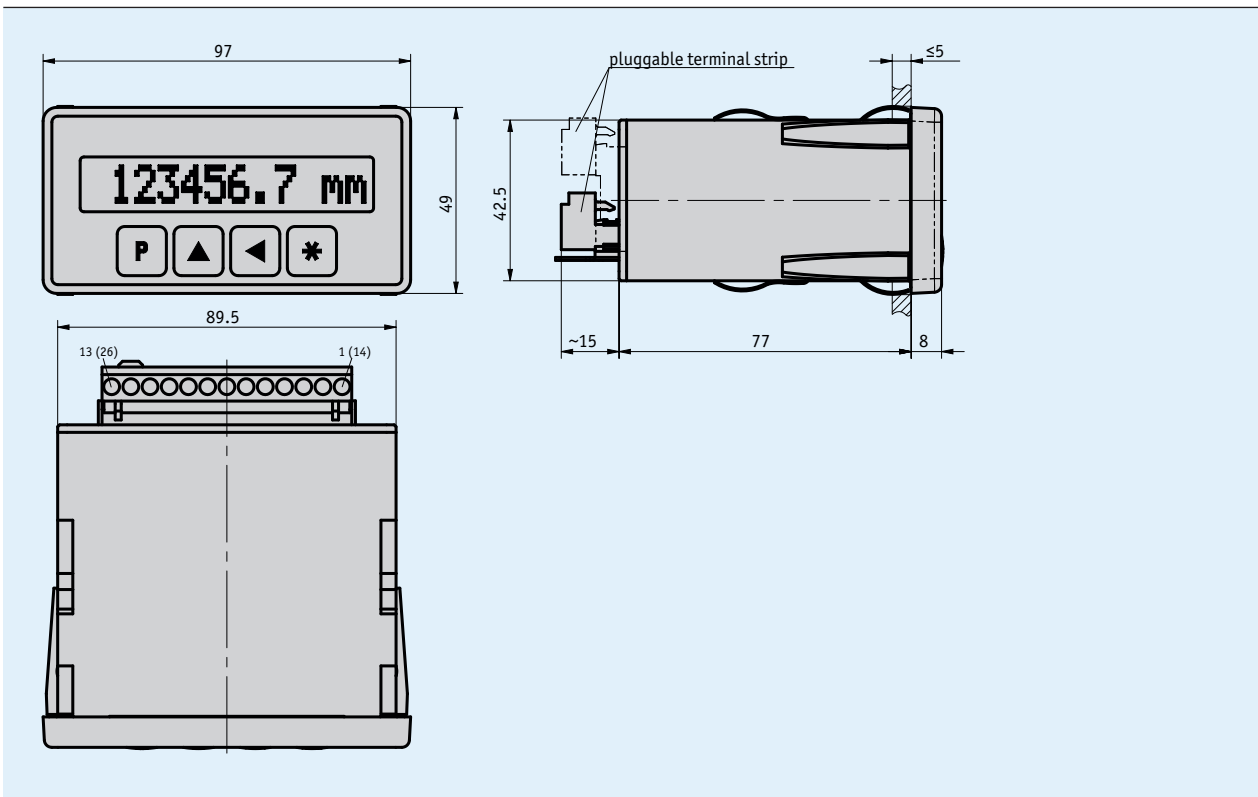


### Profile

- High-contrast LCD (1 line of 12 digits)
- Display of units
- Inputs for incremental or absolute encoder (SSI),
- Free programming via front keyboard
- With reference connection
- Option: RS232 or RS485 interface
- Option: Switching outputs



### Mechanical data

Feature	Technical data	Additional information
Housing	plastic, with panel-clip as snap module	switchboard cutout $92^{+0.8} \times 45^{+0.6}$ IEC 61554
Weight	0.22 kg	24 V DC
	0.46 kg	230 V AC / 115 V AC / 24 V AC

### Electrical data

Feature	Technical data	Additional information
Operating voltage	24 V DC $\pm 20\%$	
	24 V AC $\pm 10\%$	
	115 V AC $\pm 10\%$	(EG design)
	230 V AC $\pm 10\%$	(EG design)
Current consumption	120 mA	at 24 V DC, without encoder
Encoder supply	24 V DC (200 mA)	
	5 V DC (200 mA)	
Encoder input frequency	$\leq 500$ kHz	
Encoder input	PP, OC, OP, LD/5, LD/24, SSI/5, SSI/24	length and angle measurement
	DREH/PP, DREH/OC	speed measurement
	S/PP, S/OC	number of pieces measurement
Pulse analysis	4-fold	incremental encoder
Display/display range	12-digit, LCD point matrix, backlit -9999999 ... 9999999	arithmetic sign, unit of measurement
Keys	membrane keys with pressure point	
Switching outputs	$\leq 30$ V, 100 mA OC	2 freely programmable outputs
Counter capacity	$\pm 2^{23}$ increments	
Type of connection	connector	13/26-pole

### Ambient conditions

Feature	Technical data	Additional information
Ambient temperature	0 ... 50 °C	
Storage temperature	-20 ... 85 °C	
Relative humidity		condensation inadmissible
EMC	EN 61000-6-2	interference resistance / immission
	EN 61000-6-4	emitted interference / emission
Protection category	IP40 whole device	EN 60529
	IP60 front with switchboard installation	EN 60529

### Pin assignment

Signal incremental PP, OC, OP, LD5, LD24	Signal Speed / quantity Dreh/PP, Dreh/OC, S/PP, S/OC	Signal absolute SSI/5, SSI/24	PIN
+Ub encoder supply	+Ub encoder supply	+Ub encoder supply	1
A	nc	lock+	2
B	A	data+	3
index signal	nc	nc	4
GND encoder supply	GND encoder supply	GND encoder supply	5
24 V DC out	24 V DC out	24 V DC out	6
RFS	RFS	CAL	7
nc	nc	nc	8
GND	GND	GND	9
nc	nc	nc	10
PE	PE	PE	11
0 V	0 V	0 V	12
+ Ub operating voltage encoder supply	+ Ub operating voltage encoder supply	+ Ub operating voltage encoder supply	13 14
/A (LD, OP)	nc	clock-	15
/B (LD, OP)	/I (LD, OP)	data-	16
/I (LD, OP)	nc	nc	17
GND	GND	GND	18
nc	nc	nc	19
GND	GND	GND	20
nc	nc	nc	21
DÜA/TXD/A1	DÜA/TXD/A1	DÜA/TXD/A1	22
DÜB/RXD/A2	DÜB/RXD/A2	DÜB/RXD/A2	23
nc	nc	nc	24
nc	nc	nc	25
nc	nc	nc	26

### Order

#### Ordering table

Feature	Ordering data	Specification	Additional information
Operating voltage	1	230 V AC	
	2	115 V AC	
	3	24 V AC	
	4	24 V DC	
Encoder input	PP	push-pull	
	OC	open collector	
	OP	PP inverted	
	LD/5	line driver, 5 V DC encoder supply	
	LD/24	line driver, 24 V DC encoder supply	
	SSI/5	SSI, 5 V DC encoder supply	
	SSI/24	SSI, 24 V DC encoder supply	
	DREH/PP	speed, push-pull	
	DREH/OC	speed, open collector	
	S/PP	piece number, push-pull	
S/OC	piece number, open collector		
Counting frequency	25	25 khz	
	250	250 khz	
	500	500 khz	
Switching output	S0	without	
	SM	with	
Interface/protocol	XX/XX	without	
	S1/00	RS232/standard	
	S3/00	RS485/standard	
Software	S	length measurement	
	SW02	angle measurement, 0 ... 360°	

#### Order key

MA10/4 - EG - A - B - C - D - RM - E - BS - F

Scope of delivery: MA10/4, Mounting instructions

Accessories:  
Table-top housing TG01

[www.siko-global.com](http://www.siko-global.com)