



SUPERIOR • SYSTEMS • SOLUTIONS

**Model TR400
Programmable Process Ratemeter
Installation & Operation Manual**





SUPERIOR • SYSTEMS • SOLUTIONS

Model TR400 Programmable Process Ratemeter Installation and Operation Manual

Part Number: 990-000500

Revision G

Electro-Sensors®, Inc.
6111 Blue Circle Drive
Minnetonka, MN 55343-9108

Contact us at:

Local: 952-930-0100

National: 1-800-328-6170

Fax: 952-930-0130

Web: www.electro-sensors.com

Sales: www.sales@electro-sensors.com

Support: www.tech@electro-sensors.com

Introduction To This Manual

What is in this manual? This installation and operations manual provides detailed technical information about the TR400 Programmable Process Ratemeter. It should serve as your technical resource to install, set up, operate, and test the TR400.

Who should use this manual (audience) Keep in mind that the function of the TR400 installed in a mechanical process is to monitor speed and direction; therefore, it must be installed by qualified personnel only. This manual is designed for persons who have the primary responsibility to install, set up, operate, and test the TR400.

The secondary audience would be those persons seeking technical information about the electrical concepts and operation of the TR400.

Knowledge level Persons installing, setting up, and operating the TR400 should have good knowledge and understanding of electrical and mechanical concepts and principals pertaining to Programmable Process Ratemeters. Again, the TR400 should be installed by qualified personnel only.

Notices

- Installing Electro-Sensors, Inc., products is the responsibility of the purchaser, and is in no way guaranteed by Electro-Sensors, Inc.
- While the information in this manual has been carefully reviewed, Electro-Sensors, Inc., assumes no liability for any errors or omissions in this manual. Additionally, Electro-Sensors, Inc., reserves the right to make changes to any part of the information in this manual or the product described herein without further notices.
- No part of this manual may be photocopied, reproduced, or translated to another language without the prior written consent of Electro-Sensors, Inc.

How this manual is organized

Manual navigation tools

This manual contains the following navigation tools:

- Table of contents
- Beginning section table of contents
- Index

Each is designed to help you find the information you need quickly.

Manual sections

This manual is divided into the following sections:

- Section 1: Warnings and Cautions, discusses personal injury possibilities and potential damage to equipment.
 - Section 2: TR400 Installation, discusses installing the TR400 into a panel.
 - Section 3: TR400 Wiring and DIP Switches, discusses practical wiring practices, wiring schematics, and configuring DIP switches.
 - Section 4: TR400 Setup, discusses the TR400 parts and functions, and set up information.
 - Section 5: TR400 Programming, discusses programming the operational variables of the TR400.
 - Section 6: TR400 Diagnostics, discusses the tests used to verify the operation and functionality of the TR400.
 - Appendix A: TR400 Specifications, discusses the specifications for the TR400.
-

Table of Contents

How this manual is organized.....	ii
TABLE OF CONTENTS.....	III
SECTION 1.....	1
WARNINGS & CAUTIONS.....	1
Introduction.....	1
About warnings and cautions.....	2
Warnings.....	3
Cautions.....	4
SECTION 2.....	5
TR400 INSTALLATION.....	5
Introduction.....	5
Installation overview.....	6
Installing the TR400.....	7
SECTION 3.....	9
TR400 WIRING & DIP SWITCHES.....	9
Introduction.....	9
Recommended wiring practices.....	10
TR400 wiring schematics.....	11
4-20 mA/0-10 Vdc analog output.....	13
Switch input wiring.....	14
Single-channel and quadrature signal wiring.....	15
A and B channel input signal wiring.....	16
TR400 DIP switches.....	17
SECTION 4.....	19
TR400 SET-UP PARAMETERS.....	19
Introduction.....	19
TR400 parts and functions.....	20
TR400 set-up parameters.....	22
SECTION 5.....	23
TR400 PROGRAMMING.....	23
Introduction.....	23
Programmable variables.....	24
How to select a variable and view its data.....	27
Keypad keys used to access and program variables.....	29
How to select and change a variable's numerical value.....	30
Programming rate and signal parameters.....	32
Programming the display operation.....	33
Programming the relay outputs.....	35
Programming the analog output.....	38
Programming the switch inputs.....	39
Programming the display features.....	40



SECTION 6 41

TR400 DIAGNOSTICS 41

 Introduction..... 41

 Keypad and display test 42

 Relay output test 43

 Switch input test..... 44

 Analog output calibration 45

 Resetting the variables 47

 Setting and changing the security code number..... 48

 System slowdown test..... 50

 Viewing shaft deviation 51

 Clearing the LRC code..... 52

TR400 SPECIFICATIONS 53

INDEX..... 55

Section 1

Warnings & Cautions

Introduction

This section discusses warnings and cautions to guard against the possibility of injury to persons and damage to equipment. Since the TR400 monitors the speed and direction of various mechanical systems, observe all warnings and cautions that pertain to the mechanical systems as well.

In this section These are the topics:

Topic	See Page
About warnings and cautions	2
Warnings	3
Cautions	4

About warnings and cautions

Important notice

Read through the warnings and cautions in this section before attempting to install, set up, or operate the TR400. Warnings and cautions appear in this section and throughout this manual.

Definitions

Warnings are given when there is the possibility of injury to persons.
Cautions are given when there is the possibility of damage to equipment.
The warning label will appear as follows:

Warning

The caution label will appear as follows:

Caution

Continued on next page



Warnings

Warning

Always turn the power source OFF before wiring the TR400. Failure to observe this warning could result in an electrical shock or damage to the equipment.

Warning

During a Stop condition, any slight movement of the shaft or magnetic disc could activate the control relay and start the motor. To prevent starting the motor accidentally, always use proper LOCKOUT, TAG OUT procedures. Failure to observe this warning could result in an injury to persons or damage to equipment.

Warning

Do not touch the Pulser Disc or Wrap while it is spinning. Failure to observe this warning could result in a hand injury.

Warning

Always wear protective eye goggles when using power tools. Failure to observe this warning could result in an eye injury or blindness.

Warning

Practical wiring practices must be followed when wiring industrial equipment such as the TR400. Failure to follow practical wiring practices could result in an injury to persons or damage to equipment.

Warning

The TR400 is a programmable process ratemeter and must be installed by qualified personnel only. Failure to observe this warning could result in an injury to persons or damage to equipment.

Warning

Only qualified personnel should attempt to connect any wires to the TR400. Failure to observe this warning could result in an injury to persons.

Continued on next page

Cautions

Caution

Power to sensors is provided at TB2–6 (+12 Vdc) and TB2–5 (common) on the TR400. Wiring to those inputs should be shielded cable with the shield tied to TB2–5 common only. Failure to observe this caution could result in improper sensor function.

Caution

Always turn the power source OFF before wiring the TR400. Failure to observe this caution could result in damage to the TR400.

Caution

Never use shielded cable with extra conductors. Extra conductors can act as antennas, picking up electrical noise. Failure to observe this caution could result in improper sensor operation.

Caution

The TR400 standard uses 115 Vac, 6 VA @ 60/50 Hz, with 230 Vac as an option. Make sure you know the correct supply voltage before applying power to the TR400. Failure to observe this caution could result in damage to the TR400.

Caution

Do not touch the Pulser Disc or Wrap while it is spinning. Failure to observe this caution could cause an interruption in pulse generation, resulting in a disruption in the mechanical process being monitored.

Caution

When the digital input function is programmed as a Reset input and the switch input remains closed, the relay will never turn OFF regardless of the operating condition. A momentary contact closure of the switch is advised. Failure to observe this caution could result in damage to the equipment.

Caution

Only qualified personnel should attempt to connect any wires to the TR400. Failure to observe this warning could result in damage to the equipment.

Section 2

TR400 Installation

Introduction

This section discusses unpacking and then installing the TR400 into a panel.

In this section These are the topics:

Topic	See Page
Installation overview	6
Installing the TR400	7

Installation overview

Warning

The TR400 is a programmable process ratemeter and must be installed by qualified personnel only. Failure to observe this warning could result in an injury to persons or damage to equipment.

Unpacking the TR400

After unpacking the TR400, save the following items:

- Packing list
- All instructions and other documentation

Verify that all parts were shipped via the packing list.

Continued on next page

Installing the TR400

Panel cutout To install the TR400 into an instrument panel, do the following:

Step	Action
1.	Cut a rectangular hole in the panel to the dimensions shown in Figure 1.
2.	Loosen the screws holding the mounting bracket to the TR400 and remove it, as shown in Figure 1.
3.	Slide the TR400 into the cutout.
4.	Replace the mounting bracket and tighten the screws—do not over tighten. See Figure 1.

Note: Allow a minimum of 1.5 inches of clearance on all sides of the TR400 (*all dimensions are in inches*).

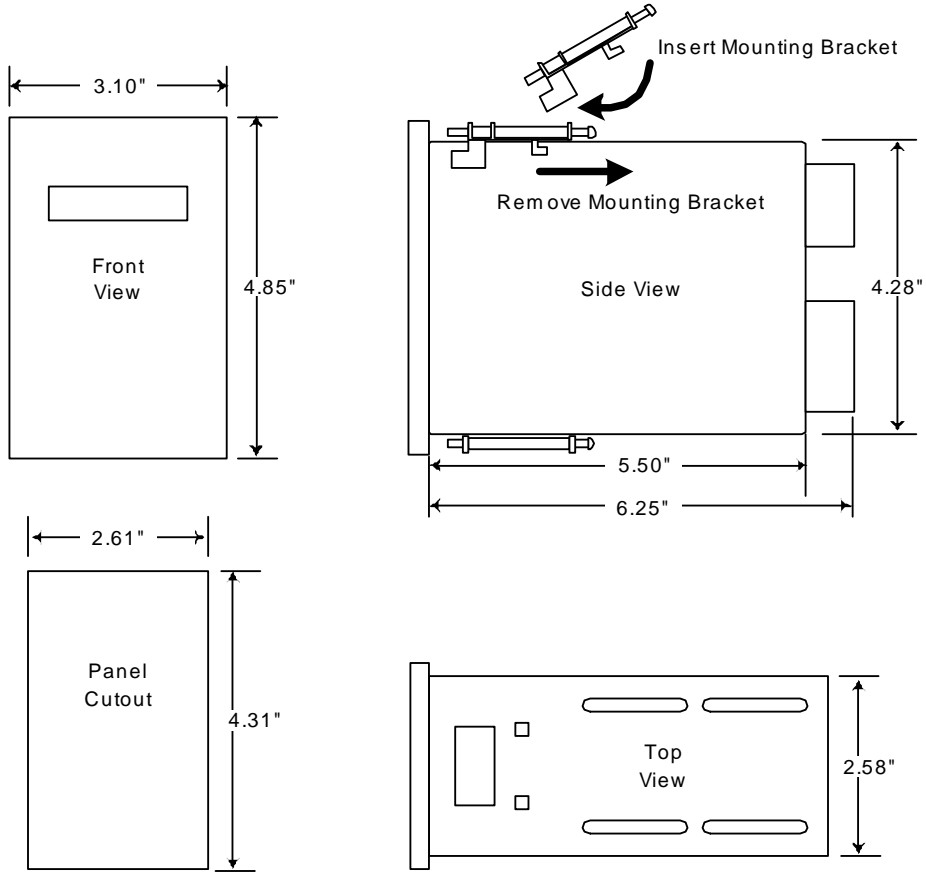


Figure 1: TR400 Dimensions



Intentionally Left Blank

Section 3

TR400 Wiring & DIP Switches

Introduction

This section discusses electrical information concerning the TR400, including wiring practices, wiring schematics, and DIP-switch settings.

In this section These are the topics:

Topic	See Page
Practical wiring practices	10
TR400 wiring schematics	11
4-20 mA/0-10 Vdc analog output	13
Switch input wiring	14
Single channel and quadrature signal wiring	15
A and B channel input signal wiring	16
TR400 DIP switches	17

Recommended wiring practices

Warning

Recommended wiring practices must be followed when wiring industrial equipment such as the TR400. Failure to follow the practical wiring practices listed below could result in an injury to persons or damage to equipment.

Wiring practices

The following is a list of recommended wiring practices for installing industrial equipment. It is critically important that you observe and follow these wiring practices when wiring the TR400.

- All control signals must be shielded cable. The shield must be tied to common or earth ground at the receiving end only. In some environments, earth ground may contain excessive electrical noise. If you encounter problems using earth ground as a shield-tie point, switch the shields to signal common. All connections to the controller are considered signal unless they carry AC voltage.
 - Never use a shielded cable with unused conductors. The unused conductors act as antennas. Attempting to tie the unused conductors to ground or other signal-carrying wires will create different antenna configurations. In many cases, an unshielded wire could be less susceptible to electrical noise. Always make sure that a shielded cable with the correct number of conductors is pulled.
 - All control signals must be separated from power wires. Power wiring includes any AC or DC wires carrying voltages with a current potential of greater than one (1) amp or a voltage greater than 24 volts. This includes, but is not limited to, 115 Vac, 230 Vac, and 460 Vac. Do not bundle shielded cables and power wires together.
 - Do not run signal cables along high magnetic or electrostatic generators. This includes, but is not limited to motors, fans, contactors, igniters, etc. Aluminum shielded cable does not stop magnetically induced noise; braided shielded cable only partially reduces magnetically induced noise.
 - An earth ground wire must be installed on microprocessor-based equipment when required. Do not rely on the enclosure's contact with the panel for earth ground. Earth ground is often used in noise-rejection circuitry as well as for safety.
 - Contactors, solenoids, and relay coils connected to the same AC power source or in the same enclosure panel as the controller must be suppressed with a capacitor-resistor filter across the coil. These can be made with a 1 kV capacitor and a ¼-watt resistor in series, or they can be purchased in a pre-made package. Use a capacitance value of 0.1 μ F or larger and a resistance value of 500 ohms or less.
 - When AC voltage is stepped down for use with equipment, a capacitor-resistor network or a filter should be placed across the secondary.
-

TR400 wiring schematics

Warning

Only qualified personnel should attempt to connect any wires to the TR400. Failure to observe this warning could result in an injury to persons.

Caution

Do not wire the TR400 to 230 Vac or 10-30 Vdc unless it has been specially wired for that voltage. The standard voltage setting is 115 Vac. Failure to observe this caution could result in damage to the TR400.

Wiring schematic

Figure 2 shows the various wiring schemes for the TR400.

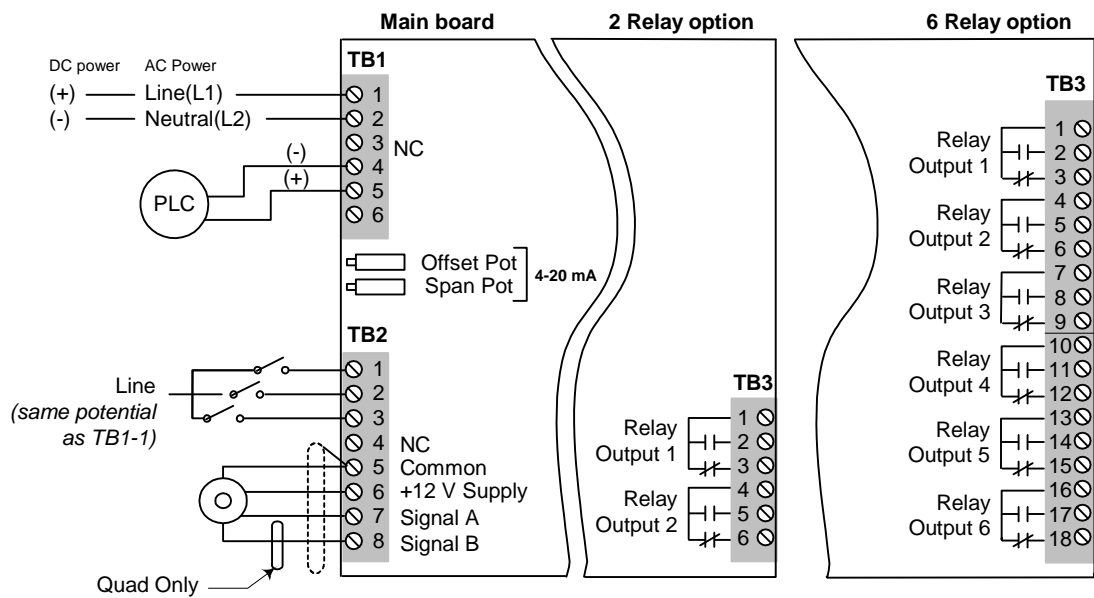


Figure 2: TR400 Wiring

Continued on next page

TR400 wiring schematics, continued

Warning

During a Stop condition, any slight movement of the shaft or magnetic disc could activate the control relay and start the motor if the Motor Auxiliary, Normally Open Contact (MS Aux n.o.) is not wired in series. To prevent starting the motor accidentally, always use the proper LOCKOUT TAG OUT procedures. Failure to observe this warning could result in an injury to persons or damage to equipment.

Motor shutdown schematic

Figure 3 shows a Stop Command Wiring schematic, designed to prevent an accidental motor startup.

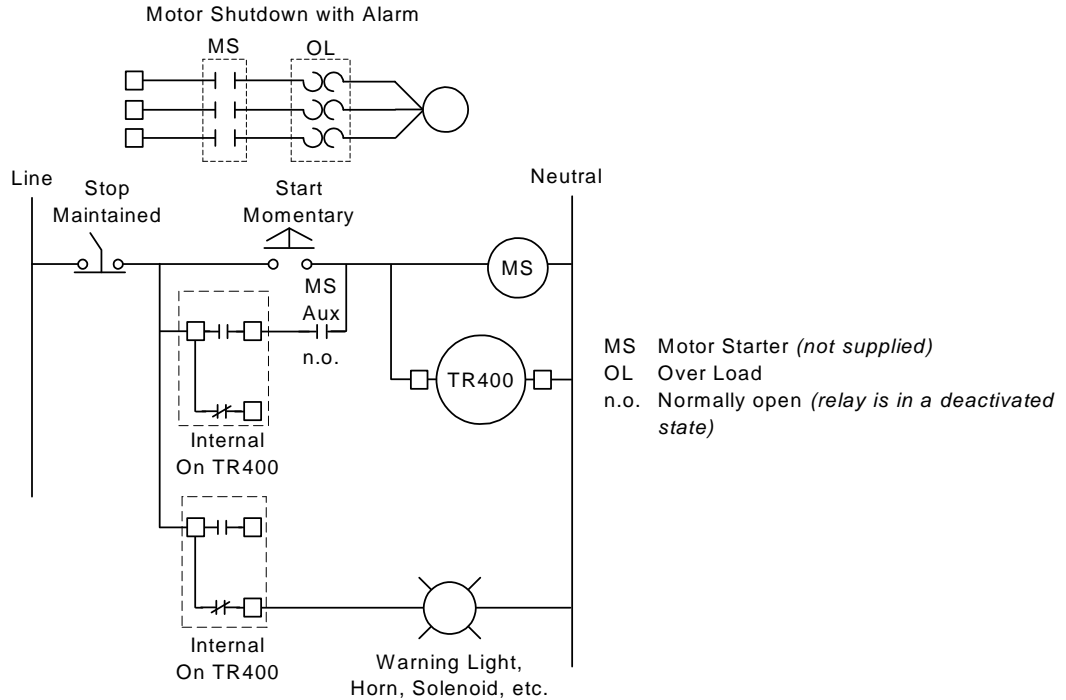


Figure 3: Wiring Schematic to Disable the Alarm on a Stop Command

Input power wiring

The TR400 standard comes set-up for 115 Vac, 6VA at 50/60 Hz. An external 1/16 amp slow-blow fuse must be provided by the customer. AC power will tie to TB1-1, Line, and TB1-2, Neutral. Optionally it can be ordered in 230 Vac and 10-30 Vdc. See Figure 2.

4-20 mA/0-10 Vdc analog output

4-20 mA/0-10 VDC analog output

The 4-20mA output supports a maximum load resistance of 500 ohms. The analog output plus (+) signal is at TB1-5, and the negative (-) signal is at TB1-4, as shown in Figure 4. This applies for both 0-10VDC¹ and 4-20mA

See the Diagnostics section for additional information about the analog outputs.

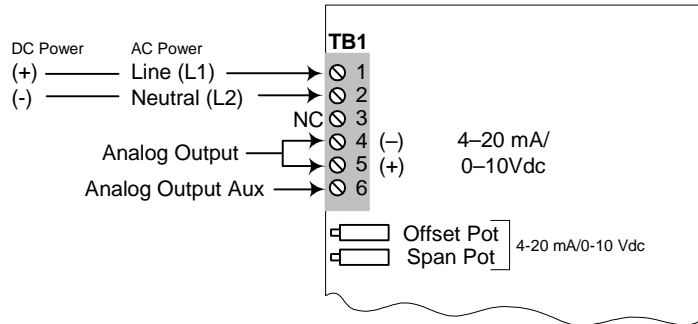


Figure 4: Wiring for Analog Outputs 4-20 mA/*0-10 Vdc

Analog Output Aux

Analog Output Aux is currently only used with the TR400 when the optional 6 relay board is installed. When the 6 relay option board is installed, 4-20mA is output at TB1-5 and 0-10Vdc is output at TB1-6. The common for both is at TB1-4. Only one output can be calibrated at a time. Only one output should be connected and used at a time.

¹ When analog is ordered, 4-20mA is standard and 0-10VDC is optional.

Switch input wiring

Switch inputs and wiring

There are three (3) switch inputs that are programmable using variable 14. They are used to Reset the outputs, or to freeze the display. Inputs 1, 2, and 3 require a voltage equal to the supply voltage, which is at the same potential as the input Line (L1) voltage. The opposite sides (*non accessible*) of these solid-state inputs are tied to input Neutral (L2). Wire input 1 to TB2-1, input 2 to TB2-2, and input 3, to TB2-3. See Figure 5.

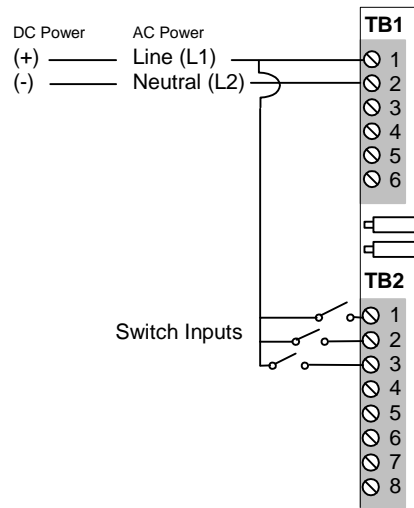


Figure 5: Wiring for Switch Inputs

Single-channel and quadrature signal wiring

Signal types

There are two (2) signal types: Single Channel and Quadrature:

- Single Channel – Rate information is provided by a single pulse generator connected to channel A, input terminal, TB2–7.
- Quadrature – Quadrature signals are configured for speed and direction. Sensor wiring is across TB2, 7 and 8. Rate information is provided by a two-channel quadrature pulse generator with a 90° phase shift between the signals, as shown in Figure 6.

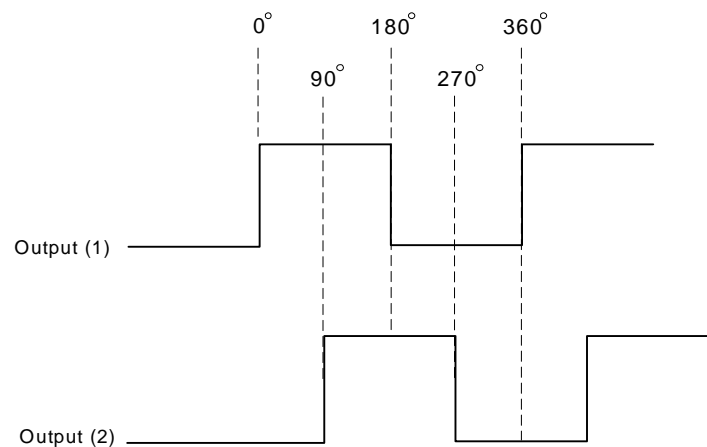


Figure 6: Two-Channel Quadrature Signals 90° Phase Shift

A and B channel input signals

These inputs require a frequency input relative to speed. Devices such as Hall-Effect sensors, encoders, or magnetic pickups can be used. Voltage to these sensors is from TB2–6 (+12 Vdc) and TB2–5 (common). The maximum current draw available is 100 mA @ 12 Vdc, unregulated.

A and B channel input signal wiring

Caution

Never use shielded cable *with extra conductors*. Extra conductors can act as antennas, picking up electrical noise. Failure to observe this caution could result in improper sensor operation.

A and B channel input signal wiring

Wiring to these inputs should be shielded cable, with the shield tied to TB2-5 common only. TB2-7 is the single-channel A input signal, and TB2-8 is the channel B input signal. TB2-8 is Quadrature only. See Figure 7.

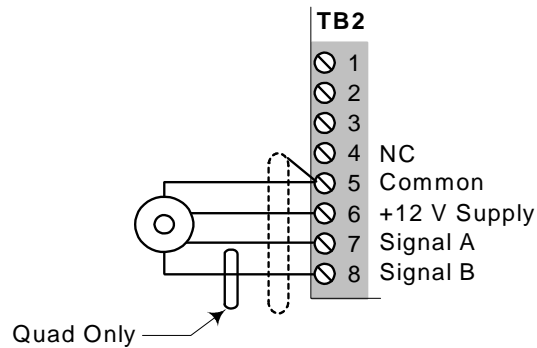


Figure 7: Wiring for Channels A and B Input Signals

TR400 DIP switches

Sensor DIP switches

The sensor DIP switches are located on the bottom of the TR400, as shown in Figure 8. Sensor input and switch information is shown in Table 1.

Table 1: Sensor Input Configuration DIP Switches

Input	Channel A TB2-7				Channel B TB2-8			
	NPN	PNP	Mag. 2 Wire	Logic Level	NPN	PNP	Mag. 2 Wire	Logic Level
Switch ON	5	6	4	None	2	3	1	None
Switch OFF	4, 6	4, 5	5, 6	4, 5, 6	1, 3	1, 2	2, 3	1, 2, 3

Note: All Electro-Sensors, Inc., digital 3 and 4 wire sensors are NPN open collector output.

TR400 standard DIP switch settings

Since all sensing devices produced by Electro-Sensors, Inc., are NPN open collector, the standard switch settings are 2 and 5, set to ON, and all others set to OFF, as shown in Figure 8.

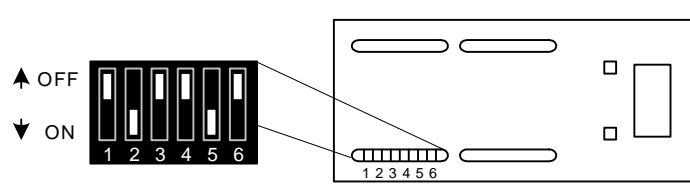


Figure 8: TR400 Sensor Switch Settings

Sensor connections

Sensor connection information is shown in Table 2.

Table 2: Sensor Connections

Connection	Sensor 906/907	ESI Prox	ESI Other
TB2-5, Common	Clear/White	Blue	Black
TB2-6, Supply	Red	Brown	Red
TB2-7, Signal A	Black	Black	Clear/White
TB2-8, Signal B	*Green	N/A	*Green

Note: If the signal is reversed, swap signal A and signal B wires.

*Present in bi-directional version only.

Intentionally Left Blank

Section 4

TR400 Set-Up Parameters

Introduction

This section discusses information about the TR400 operations panel and set-up parameters.

In this section These are the topics:

Topic	See Page
TR400 parts and functions	20
TR400 set-up parameters	22

TR400 parts and functions

Overview

The TR400 face contains five (5) status LEDs, a four-digit display, and a keypad containing nine (9) keys. See Figures 9a and 9b; the letters in Figures 9a and 9b represent each part on the front panel of the TR400. The Parts and Functions table that follows describes the function of each the parts.

Sensor DIP switches, located on the bottom of the TR400, are not discussed in this section; see “TR400 DIP Switches” in Section 3.

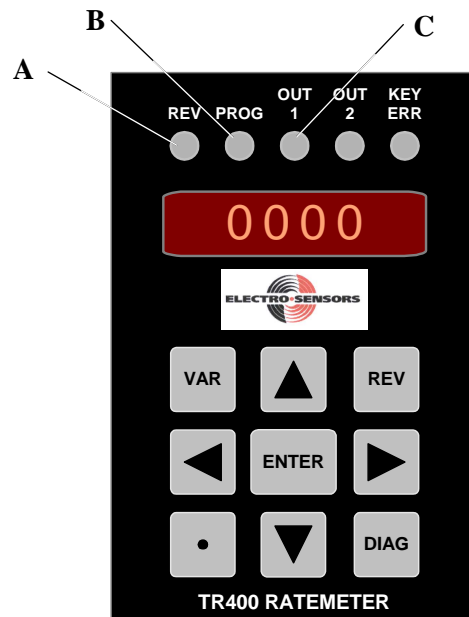


Figure 9a: TR400 Front Panel Description

Table 3: TR400 Panel Parts and Functions

Part	Function
A	The REV LED will light when either variable 15 or 16 is being programmed for reverse direction. By pressing the REV key when in variable 15 or 16, the REV LED will light and stay lighted until you exit Program Mode and will re-light every time you select and enter that variable. It will also light when the TR400 is programmed for Quadrature Mode, where signal B leads signal A.
B	The PROG LED will light when the VAR key is pressed, indicating Program Mode. It also turns on when the DIAG key is pressed, entering Diagnostic Mode.
C	The OUT 1 LED will light when relay “1” is activated. Relay “1” is enabled by variable 13, and its set-point value is entered in variable 07.

Continued on next page

TR400 parts and functions, continued

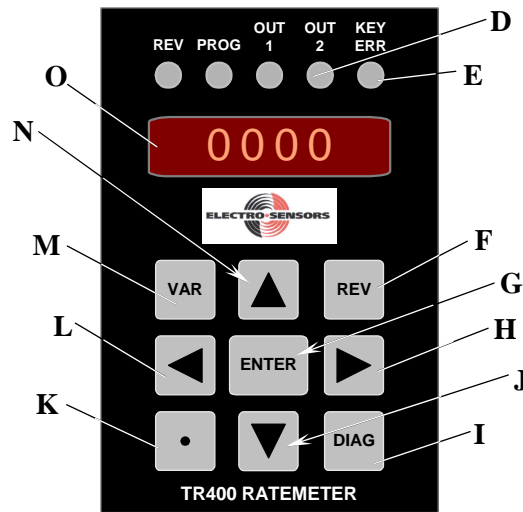


Figure 9b: TR400 Front Panel Description

Table 3: TR400 Panel Parts and Functions (continued)

Part	Function
D	The OUT 2 LED will light when relay “2” is activated. Relay “2” is enabled by variable 13, and its set point value is entered in variable 10.
E	The KEY ERR LED will light when the wrong key is pressed.
F	The REV key is used to establish reverse direction when programming variables 15 and 16.
G	The ENTER key is used in Program Mode to set the value of a variable after it has been changed.
H	The RIGHT ARROW key, when pressed, selects the next digit to the right when in Program Mode.
I	The DIAG key, when pressed, enters Diagnostic Mode. Press the DIAG key again to exit Diagnostic Mode.
J	The DOWN ARROW key, when pressed in Program Mode, decrements the active digit position on the display down by one (1).
K	The DECIMAL POINT key, when pressed when in Program Mode, moves the decimal point to the left one place.
L	The LEFT ARROW key, when pressed in Program Mode, selects the next digit to the left.
M	The VAR key when pressed, enters Program Mode.
N	The UP ARROW key, when pressed in Program Mode, increments the active digit position on the display up by one (1).
O	Four-digit display.

TR400 set-up parameters

Set-up parameters

The TR400 comes from the factory set for NPN open-collector operation. In most applications, when using a standard Hall-Effect sensor with the model 255 disc, only a few variables need to be programmed. For example, RPM (*Revolutions Per Minute*) and PPR (*Pulses Per Revolution*):

- If your operation involves relays requiring the reading of RPM, variable 01, Max RPM and variable 03, Display Units should be set to the same value.
- If you are using a 255 disc or standard wrap, variable 02 should be the default value of 8 PPR.

A typical shaft monitoring scenario for the TR400 is shown in Figure 10.

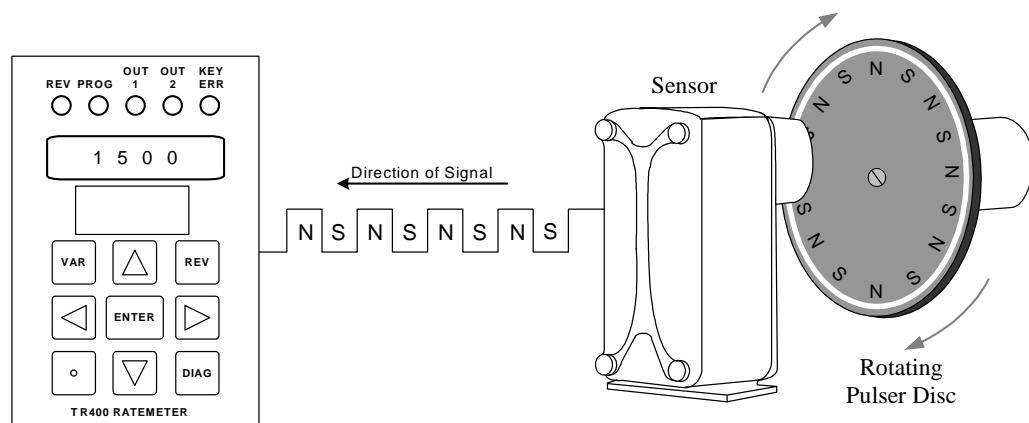


Figure 10: TR400 Monitoring Shaft Speed

Set-point and relay output values

In some applications, the set point will be 90 to 95 percent of full operating speed for safety reasons. Consider the following variables when setting relay outputs:

Set points, delay and on-times, and output function selection; for example:

- Variables 07, 10, 36, 39, 43, 46, 50, and 53: outputs 1 through 8 respectively, hold the set point value.
- Variables 08, 09, 11, 12, 37, 38, 40, 41, 44, 45, 47, 48, 51, 52, 54, and 55: delay and on-time values should be set to one (1) second (*default*), which will meet most requirements.
- Variable 13, 42, 49, and 56: output function selection is where the operation of relays 1 through 8 is defined, which is usually an underspeed condition.

Section 5

TR400 Programming

Introduction

This section discusses information about programming the TR400.

In this section These are the topics:

Topic	See Page
Programmable variables	24
How to select a variable and view its data	27
Keypad keys used to access and program variables	29
How to select and change a variable's numerical value	30
Programming rate and signal parameters	32
Programming the display	33
Programming the relay outputs	35
Programming the analog output	38
Programming the switch inputs	39
Programming the display features	40

Programmable variables

Variables Table 4 describes the programmable variables for the TR400.

Table 4: TR400 Programmable Variables

Var #	Variable Name	Description	See Page	Default Values	User Values
00	Security Match Code	This value is compared to the security code number, which is programmed in diagnostics. Record the value in diagnostics not variable 00. <ul style="list-style-type: none"> Numbers match = Unlocked Numbers don't match = Locked Keypad lockout options are set in variable 05.	48	0400	
01	Max RPM	Maximum Revolutions Per Minute.	32	1800	
02	PPR	Pulses Per Revolution.	32	0008	
03	Display Units	The value displayed when a monitored shaft is turning at the speed programmed in variable 01, Max RPM.	32	1800	
04	Rate Function	Selects the display and input signal types.	33	0000	
05	Keypad Lockout	Selects the function keys that are enabled or disabled when security is set (<i>keypad lockout function</i>).	48		
06	Start-Delay Time	Upon power-up or after initiating a Reset, the relays are turned on, regardless of the set-point condition, for the amount of time in seconds entered in this variable, up to 600 seconds. The start-delay time allows the process to reach normal operating speed.	36	001.0	
07	Output 1 Value	Holds the set-point value for output “1” in display units.	36	1500	
08	Output 1 Delay Time	The amount of time that the set-point condition must exist before the output will deactivate.	37	001.0	
09	Output 1 On Time	The minimum time that the output will stay inactive when a set-point condition occurs—up to 600 seconds. The output latch code value is 999.9.	37	001.0	
10	Output 2 Value	Holds the set-point value for output 2 in display units.	36	1000	
11	Output 2 Delay Time	The amount of time that the set-point condition must exist before the output will deactivate	37	001.0	
12	Output 2 On Time	The minimum time the output will stay inactive when a set-point condition occurs—up to 600 seconds. The output latch code value is 999.9.	37	001.0	
13	Relay Output 1 & 2 Function	Selects the set-point function of the relay outputs and the direction required for activation.	35	0000	

Continued on next page

Programmable variables, continued

Var #	Variable Name	Description	See Page	Default Value	User Value
14	Input Function Selection	The configuration for the switch inputs.	39	0000	
15	Display Value at 4 mA	The rate-display value to be represented at 4 mA output.	38	0000	
16	Display Value at 20 mA	The rate-display value to be represented at 20 mA output.	38	1800	
17	Range Selection	The time it takes the display to zero out.	34	0500	
18	Display Unit Interval	The time in seconds for the display to update.	34	000.5	
19	Analog Output Response Time	The response time of the analog output in percent. The analog output changes with input frequency changes.	38	000.0	
20	Modbus Node Address	Address the TR400 resides on the network	Addendum	0001	
21	Modbus Baud Rate	0 = 2400, 1 = 4800, 2 = 9600, 3 = 19200, 4 = 38400	Addendum	0003	
22	Analog Output cutoff %	The percent of full scale where the analog cuts off to zero output. It can be set from 0.0 to 10.0 percent.	38	000.5	
23	Pulses to Average	The number of pulses to average to smooth out the display and analog	32	0000	
24	Averaging window	Sets the window in which the pulses will be averaged. Exceeding it makes it operate pulse to pulse.	32	0005	
25					
26	Display features	Leading Zero blanking and bright/dim display	40	0011	
27					
28					
33-35	Reserved			----	
36	Output 3 Value	Holds the set-point value for output “3” in display units.	36	0600	
37	Output 3 Delay Time	The amount of time that the set-point condition must exist before the output will deactivate.	37	001.0	
38	Output 3 On Time	The minimum time that the output will stay inactive when a set-point condition occurs—up to 600 seconds. The output latch code value is 999.9.	37	001.0	
39	Output 4 Value	Holds the set-point value for output 4 in display units.	36	0500	
40	Output 4 Delay Time	The amount of time that the set-point condition must exist before the output will deactivate	37	001.0	
41	Output 4 On Time	The minimum time the output will stay inactive when a set-point condition occurs—up to 600 seconds. The output latch code value is 999.9.	37	001.0	
42	Relays 3 & 4 Output Function	Selects the set-point function of the relay outputs and the direction required for activation.	35	0000	

Continued on next page

Programmable variables, continued

Var #	Variable Name	Description	See Page	Default Values	User Values
43	Output 5 Value	Holds the set-point value for output “5” in display units.	36	0400	
44	Output 5 Delay Time	The amount of time that the set-point condition must exist before the output will deactivate.	37	001.0	
45	Output 5 On Time	The minimum time that the output will stay inactive when a set-point condition occurs—up to 600 seconds. The output latch code value is 999.9.	37	001.0	
46	Output 6 Value	Holds the set-point value for output 6 in display units.	36	0300	
47	Output 6 Delay Time	The amount of time that the set-point condition must exist before the output will deactivate	37	001.0	
48	Output 6 On Time	The minimum time the output will stay inactive when a set-point condition occurs—up to 600 seconds. The output latch code value is 999.9.	37	001.0	
49	Relays 5 & 6 Output Function	Selects the set-point function of the relay outputs and the direction required for activation.	35	0000	

How to select a variable and view its data

Overview

Each programmable variable can be selected and its data viewed within a few key presses—the results will appear on the display. The following procedure shows how to enter Program Mode and view the data for variable 01, Max RPM.

Selecting the variable

To select variable 01, do the following three steps:

Step	Action
1.	Press the VAR key; the PROG LED will light, and the display will show Pr (Program Mode) and a variable with the 1's digit position flashing. See Figure 11 for a pictorial of this step.

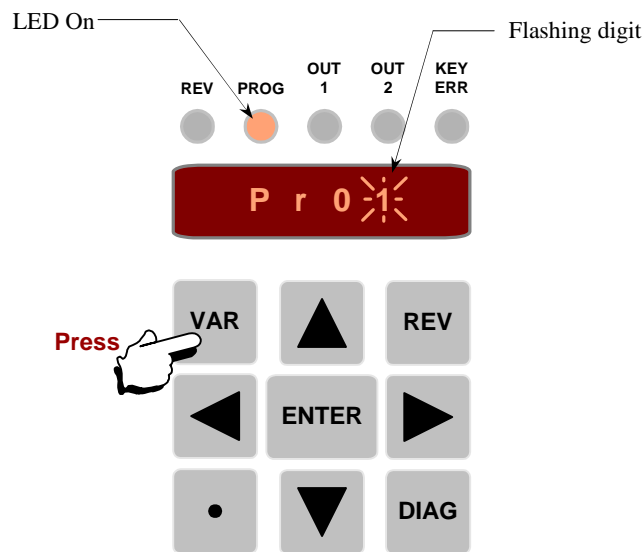


Figure 11: TR400 Placed in Program Mode Displaying Variable 01

Note: The TR400 will remember the last variable selected and changed until the TR400 is powered Down and then Up. This will Reset the TR400 to display Pr01 (the first time you enter Program Mode after a power-up).

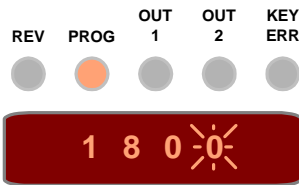
Continued on next page

How to select a variable and view its data, continued

Viewing variable data

To view the data for variable 01, do the following:

Step	Action
2.	Press the ENTER key to go to the data-entry level; the display will show 1800, the (default value) for variable 01, Max RPM, with the 1's digit position flashing. See Figure 12 for a pictorial of this step.



1800 RPM (default value) for variable 01, Max RPM, with 1's digit position flashing

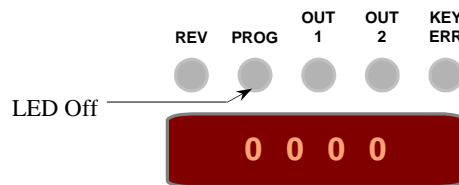


Figure 12: Data for Variable 01

Exiting

To exit the variable without changing its value, do the following:

3.	Press the VAR or ENTER key to exit Program Mode with no change to the data. See Figure 13 for a pictorial of this step.
----	---



Meter idle display (Program Mode exited)

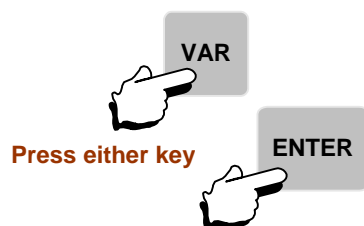


Figure 13: Exit Program Mode Without Changing the Variable's Value

Continued on next page

Keypad keys used to access and program variables

Overview

You can access and program the variables by using the VAR, LEFT ARROW, RIGHT ARROW, UP ARROW, DOWN ARROW, DECIMAL, and ENTER keypad keys. The REV and DIAG keys are inactive when the TR400 is in Program Mode.

Figure 14 shows only the keys used to program the variables. Table 5 describes the keys and their functions.

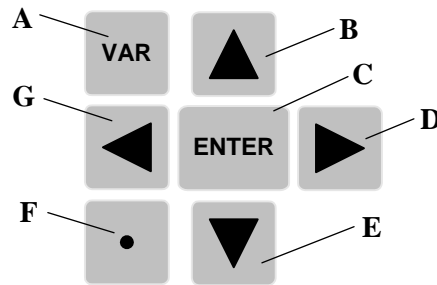


Figure 14: Keypad Keys Used to Program Variables

Table 5: TR400 Keys and Functions for Programming Variables

Key	Function
A	<ul style="list-style-type: none"> Press the VAR key to enter Program Mode; the display will show Pr (<i>Program Mode</i>) and the last selected programmable variable, 01 thru 56. Press the VAR key again to exit Program Mode.
B	Press the UP ARROW key to increment the flashing digit by one (1) on the display.
C	<ul style="list-style-type: none"> Press the ENTER key to go to the data-entry level for the programmable variable. Press the ENTER key to accept the new numerical value and exit Program Mode.
D	Press the Right ARROW key to select a digit position from left to right on the display.
E	Press the DOWN ARROW key to decrement the flashing digit by one (1) on the display.
F	Press the DECIMAL key to position the decimal point at each digit position from right to left on the display.
G	Press the LEFT ARROW key to select a digit position from right to left on the display.

How to select and change a variable's numerical value

Exercise

The following 7-step procedure shows:

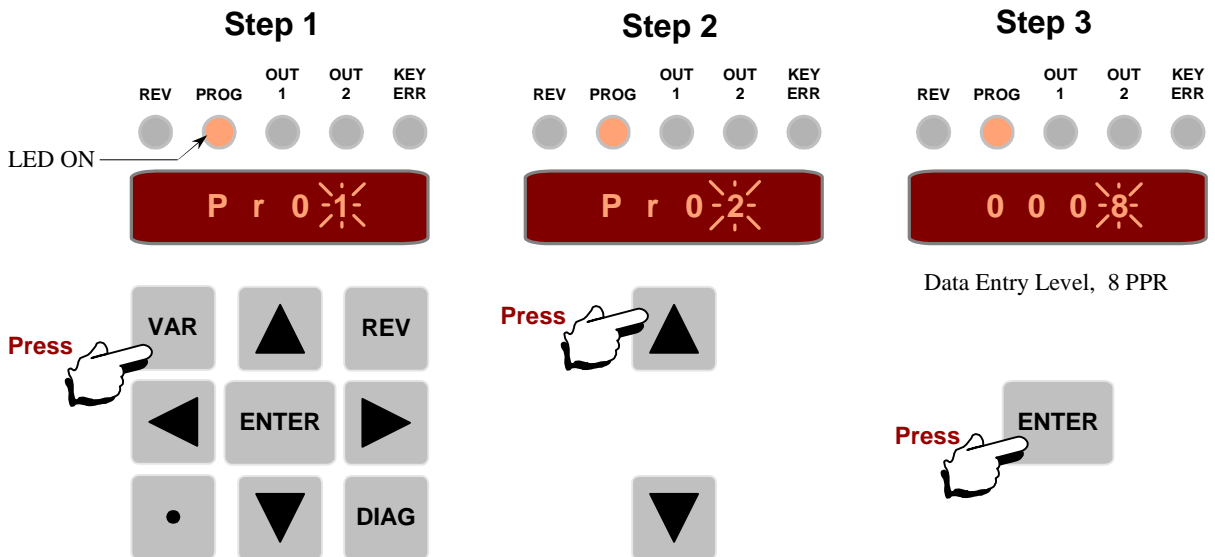
- How to enter Program Mode
- How to change from variable 01 (*Max RPM*) to variable 02 (*PPR*)
- How to change the value of variable 02 from 8 PPR to 16 PPR
- How to save the change, and exit Program Mode

Note: You can use the following 7-step procedure to select any variable, change its value, and save the results.

Note: You can select a variable and change its value either when the TR400 is monitoring or when it is idle.

Selecting and displaying variable data

To select variable 02 and display its data, press the key sequence shown in the three (3) steps below, while viewing the result on the display.

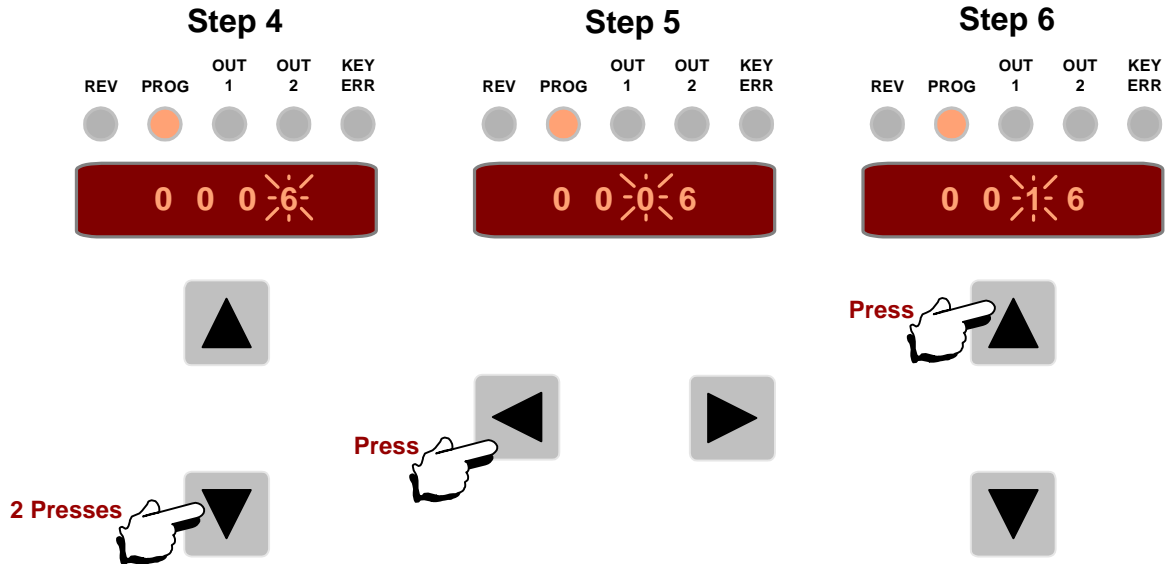


Continued on next page

How to select and change a variable's numerical value, continued

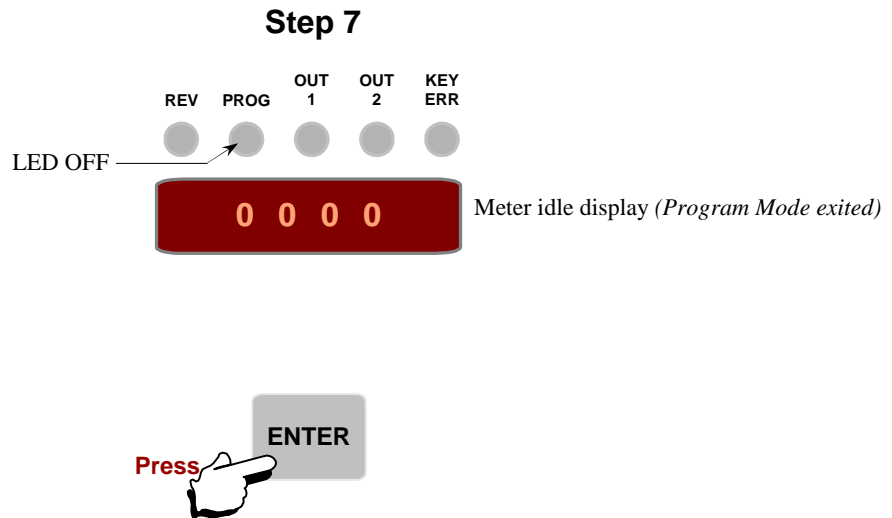
Changing the value

To change the PPR from 8 to 16 for variable 02, press each key the number of times shown in the three (3) steps below, while viewing the results on the display.



Saving the Value and exiting

To save the new value and exit Program Mode, press the ENTER key shown in Step 7 below, and view the result on the display—the PROG LED is OFF.



Programming rate and signal parameters

Overview Programming Rate — The TR400 has the ability to display rates as “Speed” or as “Time in Process.” Variables 01, 02, 03, 23 and 24 are used to program the rate and signal parameters.

Variables 01, RPM, and Variable 02, PPR

- Variable 01, Maximum RPM — Enter the maximum desired speed (*Revolutions Per Minute*) for the monitored shaft.
- Variable 02, PPR — Enter the actual Pulses Per Revolution for the sensor on the monitored shaft.
- If you have a shaft that is turning very slow, seconds between pulses, you can as an alternative enter the time between pulses in “seconds” in VAR 01. In order to enter time between pulses rather than Max RPM you must set the PPR (Variable 02) to 0000.

Note: Electro-Sensors Model 906 sensor with a Model 255 disc will provide eight (8) PPR. Standard Wraps also have (8) PPR.

Variable 03, display value /user units

Display Value/User Units — Enter the value of the “user units” that will appear on the display when the monitored shaft is turning at the “speed” programmed in variable 01.

The position of the decimal point will be fixed in Display Mode by its placement in variable 03.

Variable 23, Pulses to Average and Variable 24 Averaging Window

- Variable 23, Pulses to Average — Enter the desired number of pulses to average. Valid values are 0 to 8 pulses.
- Variable 24, Averaging window — This is a window, expressed in percent, in which pulse averaging will be used. Deviations that are greater than the window will cause the TR400 to switch to pulse to pulse output. Ideally setting a window of about 2% greater than the actual measured is desired. Valid values are 0001 to 0030. The TR400 will calculate and display the deviation for you while the shaft is running at a stable speed. Just Press the left arrow. The TR400 will then display the deviation. Wait until the deviation stops growing and add at least 1% to that number (2% is desirable). Now enter that number into VAR 24. If during the course of operation the monitored speed exhibits jumping in the display or the analog output, the window may be set too low. The larger the window the slower the response is to a sudden change in speed. This is most noticeable at slower speeds.

Programming the display operation

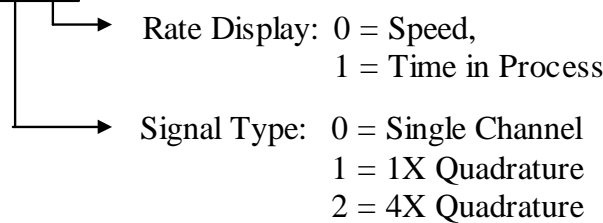
Overview Variables 04, 17, and 18 select the data to be displayed and the frequency at which it will be displayed.

**Variable 04,
rate function**

The Rate Function sets the display and input signal types as shown below.

Display Characters:

0 0 0 0



Examples of this type of display are RPM (*Revolutions Per Minutes*) and FPM (*Feet Per Minute*).

Rate Displays:

- Speed — Speed is the most commonly selected display option. Speed is calculated by the formula:

$$\text{Speed} = \frac{\text{Variable 03} \times \text{Shaft Speed}}{\text{Variable 01}}$$

- Time In Process — The Time In Process (TIP) display is the inverse of the speed display and is calculated by the following formula:

$$\text{TIP} = \frac{\text{Variable 03} \times \text{Variable 01}}{\text{Shaft Speed}}$$

The accuracy of the above formulas is dependent upon Variable 02 (PPR) since:

$$\text{Frequency} = \frac{\text{RPM (Variable 01)} \times \text{PPR (Variable 02)}}{60}$$

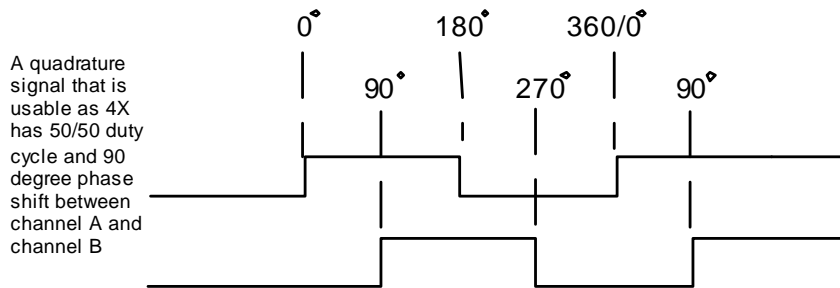
Continued on next page

Programming the display operation, continued

**Variable 04,
rate function
continued**

Signal Type:

- Single channel —Non directional, using only the Channel A input:
- Quadrature — 1X: Directional, using the Channel A and the Channel B input. Uses only one of the four edges for timing. This makes it tolerant of phase and duty cycle errors. Virtually any quadrature signal will work.
- Quadrature— 4X: Directional, using the Channel A and the Channel B input. This setting gives you 4X updating since it uses all 4 edges, 2 from each channel. This method is not tolerant of signals with poor duty cycle or signals that do not have a 90° phase relationship. Most often it will require an optical encoder to give a stable usable output. If you find the display is unacceptably jumpy your signal is probably not suitable for the 4X Quadrature. Simply switch to 1X Quadrature. The 4X Quadrature setting is primarily for customers wishing to increase the update due to the low speed of the shaft being monitored, but it is not the preferred setting because of the decreased stability.



**Variable 17,
range selection**

The Range Selection can be set to values from 2 to 9999. The default setting is 500, which should be suitable for most applications. If the TR400 display does not zero out as desired, decrease the range selection value which will decrease the time for the display to read zero (0), but will increase the minimum speed that will appear on the display.

For example, when the TR400 is programmed to read 1800 RPM maximum, it will read any speed under 3.6 RPM as zero (0); RPM formula ($1800/500 = 3.6$). This is used to prevent long update times before the display reads zero (0).

**Variable 18,
display update
interval**

The Display Update Interval enables the TR400 to show speed averages for slow and unstable shafts. The minimum update interval is 0.5 seconds, and the maximum update interval is eight (8) seconds. The factory default is 0.5 seconds.

Programming the relay outputs

Overview of the variables in a matrix as they pertain to the Setpoints

	SP1	SP2	SP3	SP4	SP5	SP6
Start delay	6	6	6	6	6	6
Setpoint value	7	10	36	39	43	46
Delay time	8	11	37	40	44	47
On time	9	12	38	41	45	48
Relay function	13	13	42	42	49	49

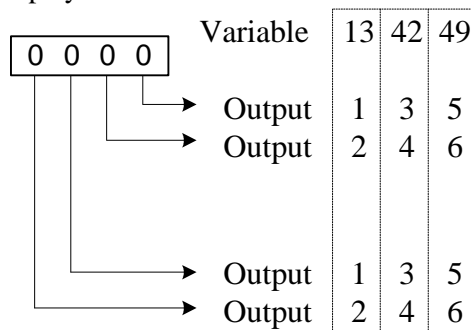
Variables 13, 42 & 49 relay output function

The Relay Output Function sets the function of the relay outputs and the direction required for activation.

Each relay output has a set-point value (*variables 07, 10, 36, 39, 43, 46, 50, and 53*). The set-point value is compared to the value appearing on the display, and when they match, an action is performed.

The Relay outputs can be configured as shown below:

Display Characters



Relay Output Function

- 0 = Unused
- 1 = Underspeed
- 2 = Overspeed
- 3 = Forward/Reverse*

Activation Direction

- 0 = Forward Only
- 1 = Reverse Only
- 2 = Forward and Reverse

Underspeed — Deactivates the output when the displayed value is below the set point value.

Overspeed — Deactivates the output when the displayed value is above the set point value.

* Forward/Reverse — (Quadrature) output is activated when the channel A signal leads the channel B signal.

Continued on next page

* Requires a quadrature sensor.

Programming the relay outputs, continued

Variables 13, 42, and 49 activation direction

Forward Only — When the output activation-direction digit of variables 13, 42, 49 is set to zero (0), the associated output set point is only valid when the TR400 recognizes the input signal as being in the forward direction (*REV LED OFF*).

Note: Both output activation-direction digits should be zero (0) if quadrature feedback is not in use.

Reverse Only — When the output activation-direction digit of variables 13, 42, 49 is set to one (1), the associated output set point is only valid when the TR400 recognizes the input signal as being in the reverse direction (*REV LED ON*).

Forward and Reverse — This function is used in a bi-directional application when set points of the same value are required in both forward and reverse directions.

Variable 06, start delay time

Upon power-up or after an active Reset, both outputs are held ON until the Start Delay expires. The amount of delay time can be set up to 600 seconds. The default is one (1) second.

Output set points

The output set-point value is compared to the value that appears on the display, and the outputs will deactivate if a set-point condition occurs after the Start Delay times out.

Variables 07, 10, 36, 39, 43, 46, relay output set point values

These variables are used to set the values at which the outputs will activate. There is a 1 percent hysteresis for the value used to activate the outputs; e.g., with an underspeed set point of 1000 RPM, the output will activate at 1010 RPM, if the On Time has expired.

The default value for variable 07 is 1500, 10 is 1000, 36 is 600, 39 is 500, 43 is 400, and 46 is 300.

Continued on next page

Programming the relay outputs, continued

Variables 08, 11, 37, 40, 44, 47, relay output-delay times

Output Delay Times are used to set the amount of time the set-point condition must exist before the output will respond. The default value for these variables is one (1) second.

Variables 09, 12, 38, 41, 45, 48, relay output- on times

Output On Times are used to set the minimum time that the output must be de-energized after a set point condition occurs and the relay has been de-energized. This value can be up to 600 seconds. The default value for these variables is one (1) second.

Latching outputs

The relay outputs can be set to latch by entering value 999.9 in the relays applicable “on time” variable. The outputs will then latch when a fault is detected. This holds the output inactive until a Reset, or the power is cycled to clear the output.

Programming the analog output

Overview	<p>The analog* range is specified with variables 15 and 16. The output is linear between the two specified values. Variable 19 is used to set the analog output response time. Variable 22 is used to set the bottom end cutoff</p> <p>The REV key is used to change the direction associated with the value.</p>
Variable 15, 4 mA display	<p>This variable contains the display value at which the analog output is 4 mA or 0 VDC. The default is “0.”</p>
Variable 16, 20 mA display	<p>This variable contains the display value at which the analog output is 20 mA or 10 VDC. The default is “1800.”</p> <p>Note: Variables 15 and 16 can be set up for reverse direction or as a window, 200–800 RPM.</p>
Variable 19, analog output response time	<p>The variable sets the response time of the TR400's analog output from 0 to 100 percent. The TR400 will limit how much the analog output can change as the input frequency changes, filtering the output. The minimum response time is “0.0,” which corresponds to approximately 50 msec from 0 to 100 percent. The maximum response time is 10.0 which corresponds to (10) seconds. The default is “0.0.”</p>
Variable 22, analog output cutoff	<p>This is used to set when the analog cuts off to zero. It can be set from 0.0 to 10.0 percent. This is used to speed up the zeroing of the analog output to zero out.”</p>

*The 0-10 Vdc analog output is optional.

Programming the switch inputs

Overview

The switch inputs are configured using variable 14. The switch inputs can be configured to Reset the outputs or freeze the display.

For switch input wiring, see the TR400 Wiring & DIP Switches section.

Caution

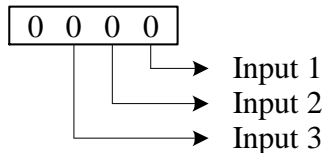
When the digital input function is programmed as a Reset input and the switch input remains closed, the relay will never turn OFF regardless of the operating condition. A momentary contact closing of the switch is advised. Failure to observe this caution could result in damage to the equipment.

Variable 14, switch input function selection

This variable configures the function of the switch inputs.

The input functions' bit assignments are as shown below:

Display Characters



Digital Input Functions

- 0 = Unused
- 1 = Reset Output 1
- 2 = Reset Output 2
- 3 = Reset Output 3
- 4 = Reset Output 4
- 5 = Reset Output 5
- 6 = Reset Output 6
- 7 = Reset Outputs 1-6
- 8 = Display Hold
- 9 = System Reset

Reset Output — Deactivates the latch and energizes the output. Upon switch release the relay will switch based on logic.

Display Hold — Freezes the display. The analog output and set points are unaffected by this switch.

System Reset — All set points are reset and energized until the switch is released and the start-delay timer times out. This allows the monitored shaft to reach proper operating speed and eliminates the need for an external start-delay relay.

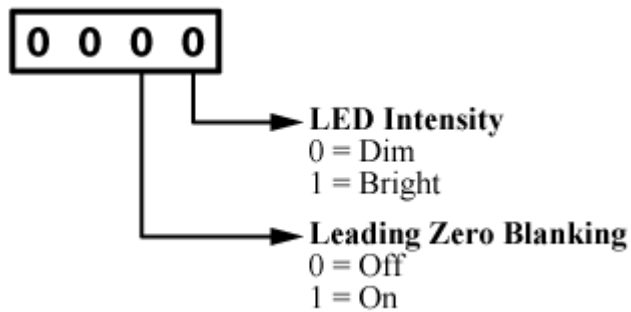
Programming the display features

**Variable 26,
Leading Zero
Blanking and
Segment
intensity**

This variable configures how the display appears.

The display appearance bit assignments are as shown below:

Display Characters



Leading Zero blanking — makes the leading zeros dark or not lit.

Intensity — makes the LED seven segments bright or dim to enhance the view ability based on ambient light.

Section 6

TR400 Diagnostics

Introduction

Diagnostics are used to test the functionality of the TR400. When the DIAG key is pressed, the TR400 will display “dIAG,” and all of the LEDs except the KEY ERR LED will light. The LEDs will remain on until you exit Diagnostic Mode.

In Diagnostics you can do the following:

- Test the keypad and display
 - Test the switch inputs
 - Test the relay output
 - Calibrate the analog output
 - Resetting the variables
 - Set up the keypad security
-

In this section These are the topics:

Topic	See Page
Keypad and display test	42
Relay output test	43
Switch input test	44
Analog output calibration	45
Resetting the variables	47
Setting and changing the security code number	48
System slowdown test	50
Viewing Shaft Deviation	51
Clearing the LRC	52

Keypad and display test

Overview The keypad diagnostic tests the functionality of each key and bit position on the display.

Keypad and display test To perform the keypad test, do the following:

Step	Action
1.	Press the DIAG key.
2.	Press the VAR key; the display will show 8888, the keypad diagnostic.
3.	Press each key from left to right and the display will appear as shown in Figure 15. Note the position of the decimal point after each key press.
4.	Press the DIAG key to exit the keypad diagnostic.

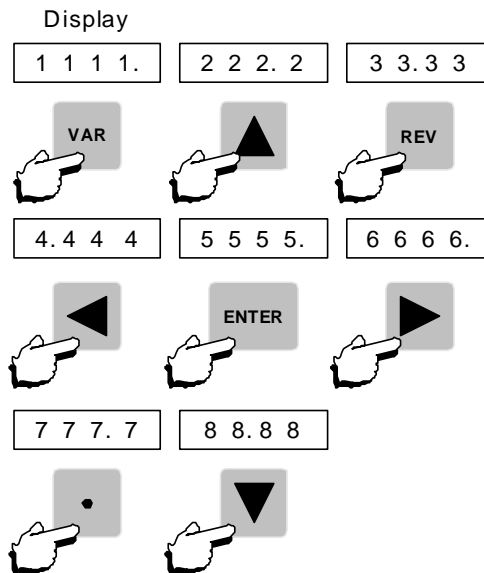


Figure 15: Keypad Test Showing the Display After Each Key Press

Relay output test

Overview The Relay Output diagnostic tests the functionality of the relays.

Relay output test To test the relay outputs, do the following:

Step	Action
1.	Press the DIAG key.
2.	Press the ► RIGHT ARROW key and the display will show the status of relay outputs 1, 3, 5, 7 and 2, 4, 6, 8. See Figure 16.

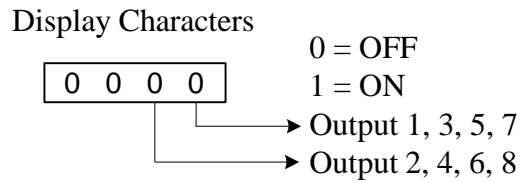


Figure 16: Relay Output Test Display

3.	Use the ◀ LEFT ARROW key to turn ON output 2, 4, 6, and 8. Use the ► RIGHT ARROW key to turn ON output 1, 3, 5, and 7.
4.	To turn OFF both outputs, press the ENTER key.

Switch input test

Overview The Switch Input diagnostic tests the TR400’s ability to recognize switch inputs tied to TB-1. When a closed switch is tied to TB-2, screw tap 1, 2, or 3, the corresponding bit position will toggle to “1.”

Switch input test To test the switch inputs, do the following:

Step	Action
1.	Press the DIAG key.
2.	<p>Press the ▲ UP ARROW key and the display will show the status of the three (3) switch inputs.</p> <p>When a switch is activated at one of the inputs, the corresponding display character toggles to “1.” When an input turns OFF, the corresponding display character toggles to “0.”</p> <p>Figure 17 shows the bit positions associated with the three (3) switch inputs.</p>

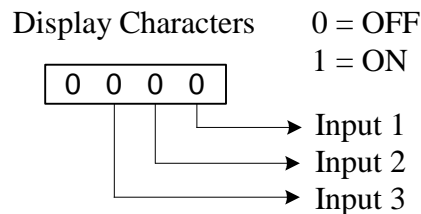


Figure 17: Display Bit Positions Associated with Switch Inputs

Analog output calibration

Overview

The Analog Output diagnostic puts the TR400 into Pot Output Mode, which permits you to adjust the 4-20 mA 12-bit isolated, or the *0-10 Vdc output. The same hardware and procedure are used regardless of the option. There is a direct correlation between current/voltage and speed. See Figure 18.

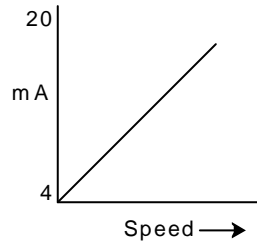


Figure 18: 4-20 mA 12 Bit Isolated Output Display

Note: 4-20 mA or 0-10 Vdc output is set up at the factory.

Adjusting the output

To adjust the 4-20 mA or 0-10 Vdc output, do the following:

Step	Action
1.	Connect a milliammeter with a maximum load resistor of 500 ohms across TB1-4 and 5, or a voltmeter if using the 0-10 Vdc option.
2.	Press the DIAG key.

Continued on next page

**The 0-10 Vdc analog output is optional.*

Analog output calibration, continued

Step	Action
3.	Press the ▼ DOWN ARROW key and the display will appear, as shown in Figure 19.

Display Characters

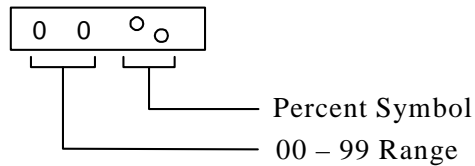


Figure 19: 4-20 mA or 0-10 Vdc Output Display In Percent

4.	Turn the Offset Pot until the mA meter reads 4 mA or V meter reads 0 Vdc.
5.	Press the ▲ UP ARROW key until the display reads 99%.
6.	Adjust the Span Pot until the meter reads either 20 mA or 10 Vdc.
7.	Press the DIAG key to exit the diagnostic.

Resetting the variables

Overview When necessary, the TR400's variables can be reset to factory default, using the default function. See Figure 20.

Resetting variables To Reset the variables, do the following:

Step	Action
1.	Press the DIAG key.
2.	Press the REV key; the display will appear as shown in Figure 20, with the factory defaults restored.

Display Characters

r E S E

Figure 20: Reset Variables Display

Setting and changing the security code number

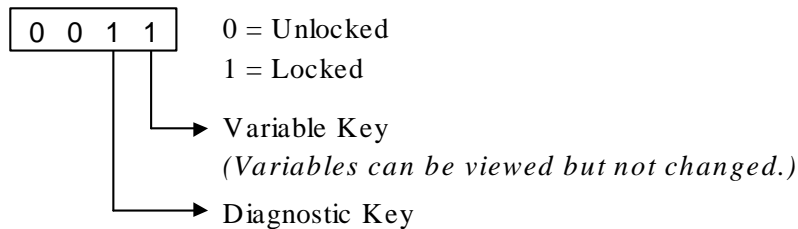
Overview

The TR400 can be programmed to prevent unauthorized changes to its operational variables by setting the keypad lockout function, using a security code number. There are three elements to enable or disable the keypad lockout function: variable 05 (*selectable lockouts*), variable 00 (*security access number*), and the location where you set up the security code number, which will be in Diagnostics.

Variable 05, keypad lockout

Variable 05 is used to select the function keys that are enabled or disabled when security is set.

Display Characters



The default value for variable 05 is “0011,” as shown above. This level of security prevents two things:

- Changing the variables (*except variable 00*) and allowing them to be viewed only.
 - Entering Diagnostics Mode.
-

Variable 00, security code number and location

The Security Code Number is a number chosen by you. The default number is 0400. After you enter a new security code number to “enable” the keypad lockout function in Diagnostics Mode, you must enter that same number into variable 00, to “disable” the keypad lockout function.

For example, if you enter 0401 into Diagnostics Mode for your security code number (*which will enable the keypad lockout function*) you must enter “0401” into variable 00 when you want to disable the keypad lockout function, which allows you access to all keys.

Continued on next page

Setting and changing the security code number, continued

Setting security To set the security code number, do the following:

Step	Action
1.	Determine which keys you want to lock out, using variable 05. The default is 0011, which locks out the DIAG key and prevents changes to operational variables, except variable 00.
2.	Press the DIAG key.
3.	Press the ◀ LEFT ARROW key and the display will show the default Security Code of 0400, as shown in Figure 21.

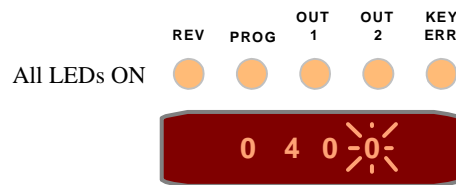


Figure 21: Security Code Number in Diagnostics Mode

4.	Enter a new security code number, up to four digits.
----	--

Important

Write your security code number down on paper and keep it in a safe place; if you forget the number or lose it, you will not be able to “disable” the keypad lockout function.

5.	Press the ENTER key to set the new security code number; this will enable the keypad lockout function and exit Diagnostics Mode.
----	--

System slowdown test

Overview The system slowdown test, tests the functionality of the system as a whole.

System slowdown test To run the slowdown test on the system you must have the system up and running. The system must be running faster than the relay setpoints you wish to test. This test does not require the user to change the setpoints, and works on underspeed setpoints only. Activating the test on the TR400 slowly scales down the actual input frequency to ramp down the display and trigger the relays, (simulating a real slowdown while running at normal speed). This verifies all aspects of the system. Releasing the (.) decimal point key at any time restores the system to a normal state. To initiate the test follow the steps below:

Step	Action
1	Press the (.) decimal key and hold it down.
2	The displayed RPMs will start to decrement after 1.5 sec.
3	The alarm Setpoint will go off and the alarm should sound. This should occur (2-6 seconds) after starting the test depending on the operating speed. These times are based on the operating speeds of 50RPM to 200RPM. The test will work at all speeds but time will be greater or less than those shown.
4	The shutdown Setpoint will go off and the system should shut down. (3-8 seconds) after starting the test depending on the operating speed.
5	Test complete release the decimal key

Note: This test in this form is available on versions 20.22 and later.

Viewing shaft deviation

Overview	The TR400 will calculate and display the deviation for you while the shaft is running at a stable speed.
How to View the shaft deviation	The shaft <u>must</u> be rotating at a steady speed <u>before</u> the deviation is going to be checked. Press and hold the left arrow key the TR400 will then display the deviation. Wait until the deviation stops growing and add at least 1% to that number (2% is desirable). Now enter that number into VAR 24. If during the course of operation the monitored speed exhibits jumping in the display or the analog output, the window may be set too low. A very large window will result in a slower response to a sudden change in speed. This is more noticeable at slower speeds.
Response > 50 HZ feedback	<p>The response to a large step change in speed which does not exceed the averaging window would be an additional 20mS per pulse that is averaged to reach the new average. Therefore the longest delay to reach the new average speed would be: 8 (pulses) * 20ms = 160mS. Each pulse would have made it 1 / (number of pulses averaged) closer to the new speed from the old speed.</p> <p>Once the averaging window has been broken it accelerates the display and analog output to match the new speed at the input.</p>
Response < 50 HZ feedback	<p>For speeds lower than 50Hz, the time it takes to get from the old speed to the new speed if the feedback stays inside the averaging window is: (Number of pulses averaged) * (1 / frequency of the pulses). Each pulse would have made it 1 / (number of pulses averaged) closer to the new speed from the old speed.</p> <p>Once the averaging window has been broken it accelerates the display and analog output to match the new speed at input.</p>

Clearing the LRC code

LRC on the display is due to the EEPROM memory corruption. This is typically caused by a large power disturbance. Normally all that is necessary is the unit will have to be reset, and the values in the variables re-entered. This can be done by holding the “diAG” key while the power to the unit is off, and continue holding the “diAg’ key while the power to the unit is restored. The unit will say “RESE”. When the “RESE” is displayed the “diAg” key should be released. It should now no longer display the LRC and you should be free to reprogram at this time.

Appendix A: TR400 Specifications

Power	Description
Input Power	<ul style="list-style-type: none"> • 115 Vac, 6VA @ 50/60 Hz, requires external fuse 1/16 amp slow-blow • 230 Vac, 6VA @ 50/60 Hz, requires external fuse 1/32 amp slow-blow • 10-30 Vdc requires external fuse 2 amp slow-blow

Sensor	Description
Sensor Supply	12 Vdc unregulated up to 100mA for 115 and 230 Vac units. 12 Vdc regulated up to 100mA for 10-30 Vdc units, max 2 relays. 12 Vdc regulated up to 50mA for 10-30 Vdc units with 6 relays.
Sensor Input	Switch selectable
NPN Open Collector	2200 ohm pull-up to 12 Vdc, 2.5 volts trigger level
PNP Open Collector	2200 ohm pull-down, 2.5 volts trigger level
Logic Level	2.5 volts trigger level
Magnetic Pickup	150 mV peak-to-peak minimum signal, 50 mV trigger level
Maximum Frequency	Up to 4 kHz (consult factory for higher frequencies)

Optional External Control I/O	Description
Switch Inputs	3 programmable inputs
Set Point Outputs (<i>Relays</i>)	2 or 6 programmable-form C relays on board, rated 250 Vac 5 amp, 30 Vdc 5 amp resistive load With option for 8 external relays.
Analog Outputs	1 programmable 4-20 mA or 0-10 VDC output, 12 bit

Continued on next page

Operational Values	Description
Accuracy	Display and relays: 0.01 percent +/- 1digit Analog: .1% linearity
Frequency range	.01 Hz to 4Khz
Response Time	Minimum 0.02 seconds
Control Range	Default 500 – 1, can be programmed from 9999 – 1
Modes of Operation	<ul style="list-style-type: none"> • Speed • Time in process • Single channel • Quadrature
Set Points	<ul style="list-style-type: none"> • 2 or 6 programmable as “over” or “under” • Forward and reverse
Display Update Time	0.5 seconds update time minimum; 8 seconds update time maximum

Mechanical	Description
Enclosure	ABS Plastic 94V-0
Keypad	Polycarbonate Tactile switch pad, chemical resistant, splash proof
Display	4 digit .3 inch height, seven-segment display, 5 status LEDs
Operating Temperature	0° C to 50° C (+32° to + 122° F)
Humidity	0% to 90% non-condensing

Specifications are subject to change without notice.

Index

- 0**
 - 0-10 Vdc Output
 - analog, 13
 - offset and span pots, 11, 13, 45, 46
- 4**
 - 4-20 mA Output
 - analog, 13
 - max load resistance, 13
 - offset and span pots, 11, 13, 45, 46
- A**
 - A/B Channel Input Signals
 - DIP switch settings, 17
 - maximum current draw, 15
 - sensor voltage, 15
 - sensor wiring schematic, 11, 16
 - signal type, 33, 34
 - wiring, 16
 - wiring caution, 16
 - AC Power
 - 115 Vac, 12, 53
 - 230 Vac, 12, 53
 - fuse, 12, 53
 - Analog Output, 11, 13, 45, 46
- C**
 - Calibrating TR400
 - analog output, 45, 46
 - Caution
 - definition
 - label, 2
 - list of, 4
 - wiring, 16
- D**
 - Diagnostics, 41
 - Analog calibration, 45, 46
 - Clearing an LRC, 52
 - keypad and display, 42
 - relay outputs, 43
 - reset variables, 47
 - security, 48
 - switch input, 44
 - System slowdown test, 50
 - Viewing shaft deviation, 51
- DIP Switches**
 - input configurations, 17
 - standard settings, 17
- Display**
 - Leading zero blanking, 40
 - Seven segment intensity, 40
 - update interval, 34
 - update rate, 34
- F**
 - Faceplate
 - parts and functions, 20, 21
 - Fuses, 12, 53
- I**
 - Installation
 - panel cutout dimensions, 7
 - unpacking TR400, 6
- K**
 - Keypad Lockout, 48
 - Keys
 - access and program variables, 29
- L**
 - Latching Outputs, 37
- O**
 - Offset and Span Pots, 11, 13, 45, 46
 - Output Set Points, 36
 - Over/Underspeed Conditions, 35
- P**
 - Programming the display features, 40
 - Programming TR400
 - analog output cutoff, 38
 - analog output offset, 38
 - analog output response time, 38
 - analog output span, 38

- display update interval, 34
- display/user units, 32
- keypad lockout, 48
- max RPM, 32
- PPR, 32
- range selection, 34
- relay activation direction, 36
- relay output, 35
- relay output delay times, 37
- relay output on times, 37
- relay outputs, 36
- security code number, 48
- start delay, 36
- switch input function, 39

Q

Quadrature

- DIP switch settings, 17
- pulse generation, 35
- settings, 33, 34, 35
- signal wiring, 15
- signals, 15, 33, 34
- signals 90° phase shift, 15
- variable, 33

R

Relay Output

- delay times, 36, 37
- Function, 35
- values, 22, 36

Resetting Variables, 47

Rev LED

- on and off, 36

S

Security

- code number, 48
- keypad lockout, 48
- setting, 49
- setting and changing code number, 48

Sensors

- electrical connections, 17
- electro-sensors settings, 17

Set Point

- delay times, 36, 37
- Function, 35

- values, 22, 36
- Signal Types, 15
- Single Channel Signal, 15
- Specifications, 53, 54
- Switch Inputs, 14
 - programming, 39
 - test, 44

T

Test

- analog, 45
- keypad and display, 42
- relay outputs, 43
- switch inputs, 44

Time In Process

- formula, 33

V

Variable

- programming, 30, 31

Variable List, 24, 25, 26

Variables

- 00 security code, 48
- 01 max RPM, 32
- 02 PPR, 32
- 03 display units, 32
- 04 rate functions, 33
- 05 keypad lockout, 48
- 06 start delay time, 36
- 07 relay output 1 setpoint, 36
- 08 relay output 1 delay time, 37
- 09 relay output 1 on time, 37
- 10 relay output 2 setpoint, 36
- 11 relay output 2 delay time, 37
- 12 relay output 2 on time, 37
- 13 relays 1 & 2 activation direction, 36
- 13 relays 1 & 2 output function, 35
- 14 input function selection, 39
- 15, 4 mA output, 38
- 16, 20 mA output, 38
- 17 range selection, 34
- 18 display update interval, 34
- 19 analog output response time, 38
- 22 analog output cutoff, 38
- 23 Pulses to Average, 32
- 24 Averaging Window, 32

26 Leading zero blanking and LED intensity, 40
36 relay output 3 setpoint, 36
37 relay output 3 delay time, 37
38 relay output 3 on time, 37
39 relay output 4 setpoint, 36
40 relay output 4 delay time, 37
41 relay output 4 on time, 37
42 relays 3 & 4 activation direction, 36
42 relays 3 & 4 output function, 35
43 relay output 5 setpoint, 36
44 relay output 5 delay time, 37
45 relay output 5 on time, 37
46 relay output 6 setpoint, 36
47 relay output 6 delay time, 37
48 relay output 6 on time, 37
49 relays 5 & 6 activation direction, 36
49 relays 5 & 6 output function, 35
50 relay output 7 setpoint, 36
51 relay output 7 delay time, 37
52 relay output 7 on time, 37
53 relay output 8 setpoint, 36
54 relay output 8 delay time, 37
55 relay output 8 on time, 37
56 relays 7 & 8 activation direction, 36

56 relays 7 & 8 output function, 35
accessing and programming, 29
selecting and changing values, 30, 31
selecting and viewing, 27, 28
Viewing shaft deviation, 51

W

Warning
definition
label, 2
list of, 3
Wiring
A/B channel input signals, 11, 15, 16
AC switch inputs, 11, 14
analog output, 11, 13
installation warning, 11
motor shutdown schematic, 12
overall schematic, 11
recommended practices, 10
screw taps
TB1, TB2, TB3, 11
signal types
single channel and quadrature, 15, 34
voltage caution, 11





SUPERIOR • SYSTEMS • SOLUTIONS

Electro-Sensors®, Inc.
6111 Blue Circle Drive
Minnetonka, MN 55343-9108

Contact us at:

Local: 952-930-0100

National: 1-800-328-6170

Fax: 952-930-0130

Web: www.electro-sensors.com

Sales www.sales@electro-sensors.com

Support: www.tech@electro-sensors.com