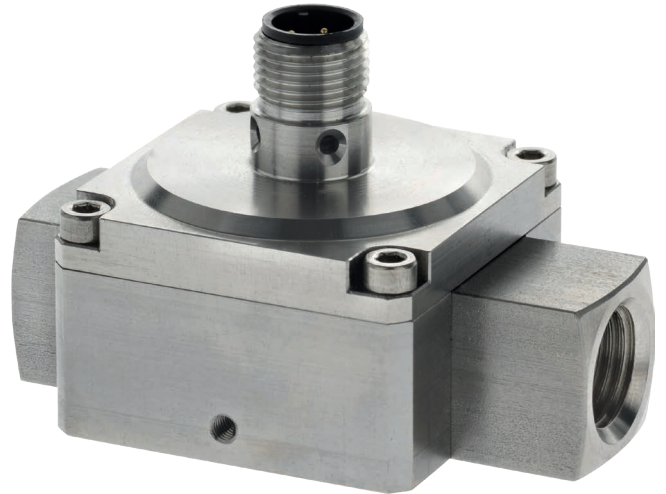


Analog Transmitter

SIGNAL



OVERVIEW

Operation

- The position of a magnetic float / piston is detected by means of Hall sensors and converted into an analog signal.

Application

- Use in combination with float type sensors for various flow media (see table on page 2).

Features

- Analog output (4-20 mA or 0-10 V)

Installation information

- Refer also to the applicable data sheets and operating instructions for the flow monitor!
- **Download: www.meister-flow.com**

OPERATING DATA

Accuracy:

DUM, DWM, RVM/U-1, RVM/U-2 and RVM/U-4	±3 % of full scale
DKM-1, DKM-2 and DKME	± 5 % of full scale (with calibration at a specified viscosity)
DKM-1, DKM-2 and DKME	± 10 % of full scale (viscosity compensated)
DWM-L, RVM/U-L1, RVM/U-L2 and RVM/U-L4	± 10 % of full scale
Operating temperature	-20 °C - 70 °C
Storage temperature	-20 °C - 80 °C
Repeatability	±1 % of full scale

POSSIBLE COMBINATIONS

Type

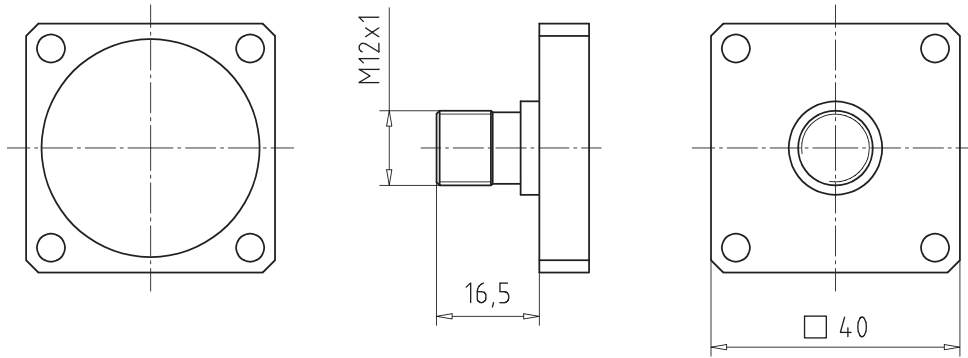
Sensor	Transmitter	Combination
DUM	+ SIGNAL	= DUM/SIGNAL
DWM	+ SIGNAL	= DWM/SIGNAL
RVM/U-1	+ SIGNAL	= RVM/U-1/SIGNAL
RVM/U-2	+ SIGNAL	= RVM/U-2/SIGNAL
RVM/U-4	+ SIGNAL	= RVM/U-4/SIGNAL
DKM-1	+ SIGNAL	= DKM-1/SIGNAL
DKM-2	+ SIGNAL	= DKM-2/SIGNAL
DKME	+ SIGNAL	= DKME/SIGNAL
DWM-L	+ SIGNAL	= DWM-L/SIGNAL
RVM/U-L1	+ SIGNAL	= RVM/U-L1/SIGNAL
RVM/U-L2	+ SIGNAL	= RVM/U-L2/SIGNAL
RVM/U-L4	+ SIGNAL	= RVM/U-L4/SIGNAL

MATERIALS

Brass version, non-wetted parts

Body:	Brass, nickel-plated
-------	----------------------

TECHNICAL DRAWING



ELECTRICAL DATA

Power supply	24 VDC (18...30 VDC)
Power consumption	< 1 W
Output	Analog output 4...20 mA or 0...10 V Please specify when ordering!
Current output	4...20 mA
Max. load	500 Ω
Voltage output	0...10 V
Max. current	10 mA

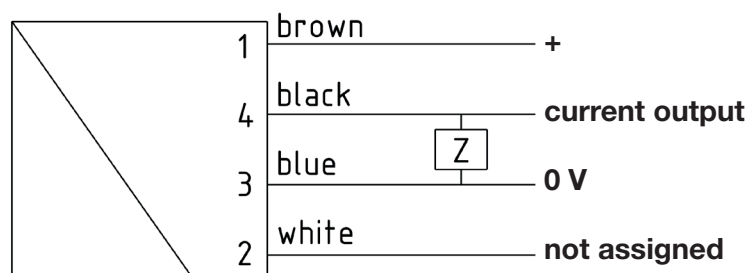
ELECTRICAL CONNECTION

– For round plug M 12 x 1, 4 pin

Ingress protection

IP67

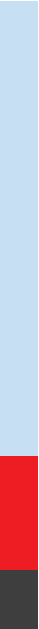
CONNECTION DIAGRAM



Notes

Please note that the flowmeter and the SIGNAL analog transmitter have been optimally adjusted to each other and may not be exchanged!

Please also refer to the data sheets and operating instructions of the respective flowmeter.



MASTERPIECES MADE IN GERMANY

SIGNAL 4 0001 12-15 EM

Meister Strömungstechnik GmbH • Im Gewerbegebiet 2 • 63831 Wiesen / Germany
Tel. +49 (0) 6096 9720-0 • Fax +49 (0) 6096 9720-30 • sales@meister-flow.com • www.meister-flow.com
The general business terms of Meister Strömungstechnik GmbH are valid • All rights reserved

