

## Switch Contact

# SG-30



## OVERVIEW

### Operating principle

- Reed contact

### Application

- The switch contact is for use on mechanical flow meters for the electronic monitoring of flow limits.

### Features

- Normally open or Change over
- Bi-stable switching behavior within the specified measuring range
- Sealed housing IP 65 or IP67 (depending on connection)

### Connection options

- Connector in compliance with EN 175301-803, Form A
- Connector M12x1
- Cable

### Notice

- Refer also to the Data Sheets and Operating Instructions of the respective flow sensor!
- **Download: [www.meister-flow.com](http://www.meister-flow.com)**

## OPERATING DATA

### Operating temperature

#### Standard

**EN 175301-803** -20 °C – 120 °C

**Cable** -20 °C – 120 °C

**M12x1** -20 °C – 85 °C

#### High temperature version

**EN 175301-803** -20 °C – 160 °C

**Cable** -20 °C – 160 °C

For switch contacts in explosion-proof design according to ATEX directive, changed operating data apply. Refer to data sheet for SG-30 EX!

For UL Recognized devices, changed operating data apply. Refer to data sheet for SG-30 UL!

Download: [www.meister-flow.com](http://www.meister-flow.com)

## COMBINATION OPTIONS

### Media

### Device

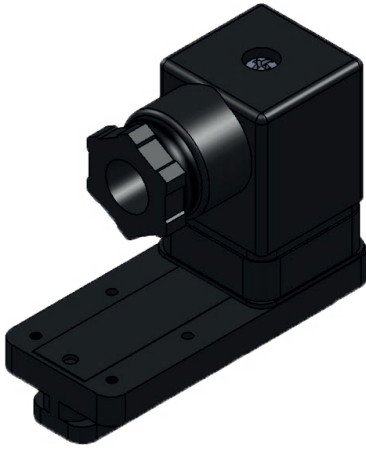
H <sub>2</sub> O	DUG	DWG
	DWM	DWM/A
	DUM	DUM/A
	RVM/U-1	RVM/U-2
	RVM/UA-1	RVM/UA-2
	RVO/U-1	
WBM		WBMC
	RVM/UM	

Oil	DKG-1	
	DKM-1	DKM-2
	DKM/A-1	DKM/A-2
	DKME-1	DKME/A-1

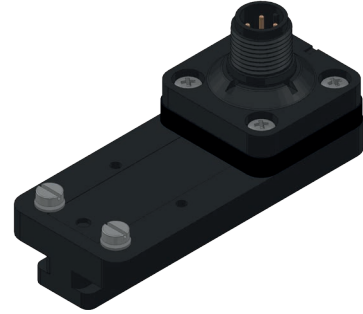
Air	DWG-L	
	DWM-L	DWM/A-L
	RVM/U-L1	RVM/U-L2
	RVO/U-L1	

# CONNECTION OPTIONS

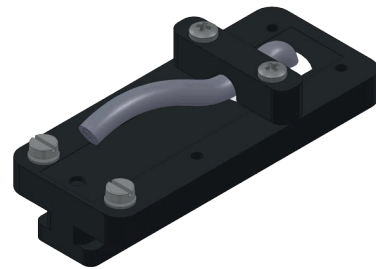
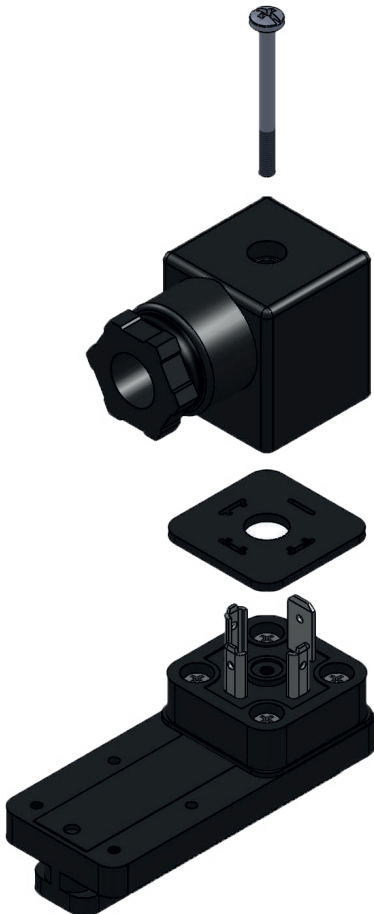
Connector in compliance with EN 175301-803



Connector M12x1



Cable



## ELECTRICAL DATA

<b>Change over (COC)</b>	250V · 1,5A · 50VA <sup>(1)</sup>
<b>Normally open (NOC)</b>	250V · 3A · 100VA
<b>Change over M12x1 (-20 °C – 85 °C)</b>	250V · 1,5A · 50VA <sup>(1)</sup>
<b>Normally open M12x1 (-20 °C – 85 °C)</b>	250V · 3A · 100VA
<b>Change over PLC (COC)</b>	250V · 1A · 60VA

<sup>(1)</sup> Minimum load 3VA

## ELECTRICAL CONNECTION

- Connector in compliance with EN 175301-803, Form A (DIN 43650, Form A)
- Connector M12x1, 4-pin
- Cable (1 m)

### Ingress Protection

IP65: Connector in compliance with EN 175301-803, Form A  
IP67: Cable or connector M12x1

### Output signal

The contact opens / changes when the flow decreases below the set point.

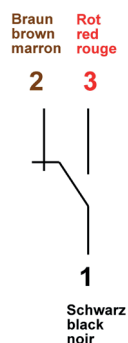
### Power supply

Not required (potential-free reed contacts)

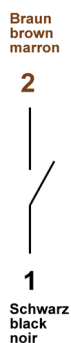
## CONNECTION DIAGRAM

### Connector in compliance with EN 175301-803 and cable

Change over (COC)



Normally open (NOC)



### Connector M12x1

Change over (COC)



Normally open (NOC)



Pin assignment

