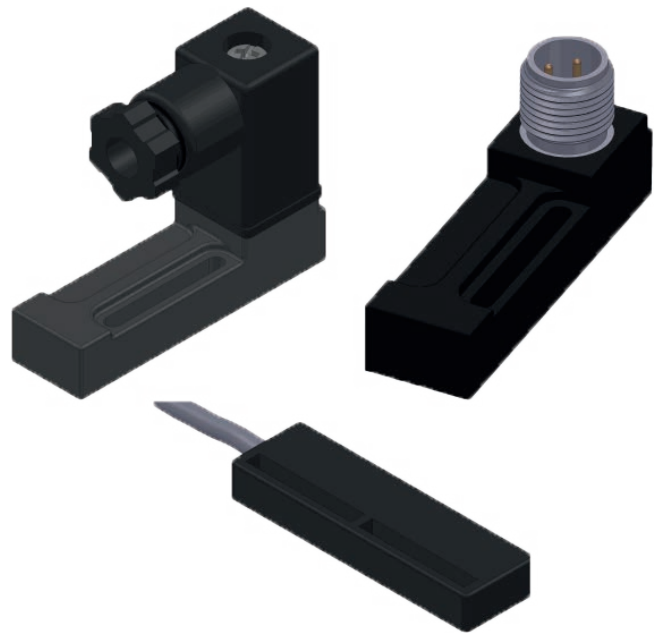


Switch Contact

SG-15



OVERVIEW

Operating principle

- Reed contact

Application

- The switch contact is for use on mechanical flow meters for the electronic monitoring of flow limits.

Features

- Normally open or Change over
- Bi-stable switching behavior within the specified measuring range
- Sealed housing IP 65 or IP67 (depending on connection)

Connection options

- Connector in compliance with EN 175301-803, Form C
- Connector M12x1
- Cable

Notice

- Refer also to the Data Sheets and Operating Instructions of the respective flow sensor!
- **Download: www.meister-flow.com**

OPERATING DATA

Operating temperature

Standard

EN 175301-803 -20 °C – 120 °C

Cable -20 °C – 120 °C

M12x1 -20 °C – 85 °C

High temperature version

EN 175301-803 -20 °C – 160 °C

Cable -20 °C – 160 °C

For switch contacts in explosion-proof design according to ATEX directive, changed operating data apply. Refer to data sheet for SG-15 EX!

Download: www.meister-flow.com

COMBINATION OPTIONS

Media

Device

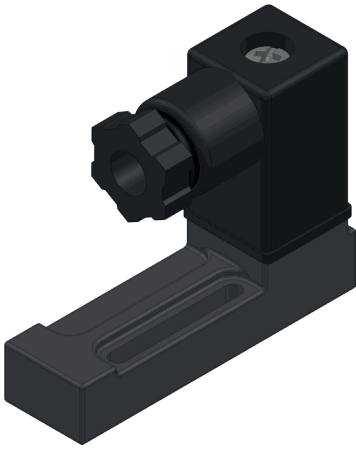
H ₂ O	RVM/U-2	RVM/U-4
	RVM/UA-2	RVM/U-S4
	RMU-A	
	RMU-B	
	RVO/U-2	RVO/U-4
		WY

Oil	DKG-2	
	DKM-2	
	DKM/A-2	

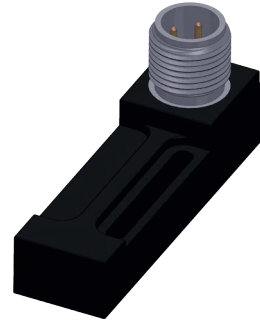
Air	RVM/U-L2	RVM/U-L4
	RVO/U-L2	RVO/U-L4

CONNECTION OPTIONS

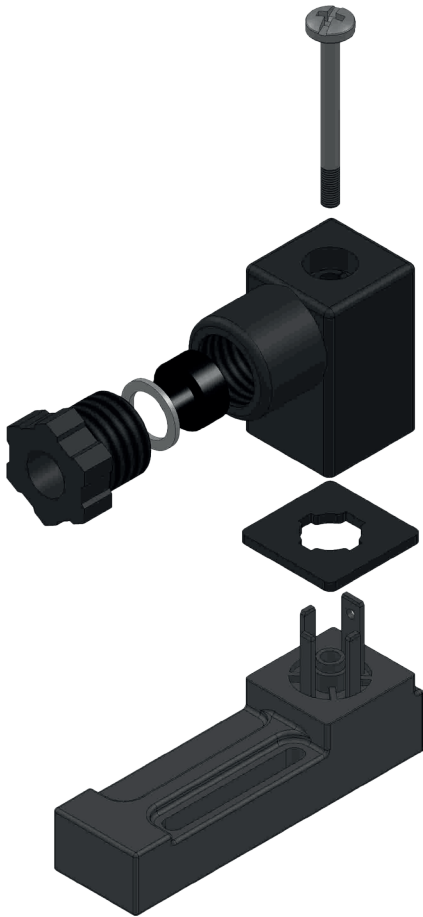
Connector in compliance with EN 175301-803



Connector M12x1



Cable



ELECTRICAL DATA

Version for:

RVM/U-2, RVM/UA-2 RMU-A, RMU-B, RVO/U-2, DKG-2, DKM-2, DKM/A-2, RVM/U-L2 and RVO/U-L2

Change over (COC) ⁽¹⁾	250V · 1,5A · 50VA ⁽²⁾
Normally open (NOC)	230V · 3A · 60VA
Change over M12x1 (-20 °C – 85 °C)	125V · 1,5A · 50VA ⁽²⁾
Normally open M12x1 (-20 °C – 85 °C)	125V · 3A · 60VA
Change over PLC (COC) ⁽¹⁾	250V · 1A · 60VA

Version for:

RVM/U-4, RVM/U-S4, RVO/U-4, WY, RVM/U-L4 and RVO/U-L4

Change over (COC) ⁽¹⁾	150V AC/DC · 1A · 20VA
Normally open (NOC)	140V AC · 0,7A · 20VA 200V DC · 1A · 20VA
Change over M12x1 (-20 °C – 85 °C)	125V AC/DC · 1A · 20VA
Normally open M12x1 (-20 °C – 85 °C)	125V AC · 0,7A · 20VA 125V DC · 1A · 20VA

⁽¹⁾ Possible with connector only

⁽²⁾ Minimum load 3VA

ELECTRICAL CONNECTION

- Connector in compliance with EN 175301-803, Form C (DIN 43650, Form C)
- Connector M12x1
- Cable (1 m) ⁽³⁾

Ingress Protection

IP65: Connector in compliance with EN 175301-803, Form C or Connector M12x1

IP67: Cable

Output signal

The contact opens / changes when the flow decreases below the set point.

Power supply

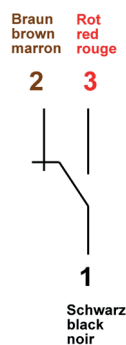
Not required (potential-free reed contacts)

⁽³⁾ Available only as Normally Open Contact (NOC)

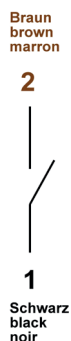
CONNECTION DIAGRAM

Connector in compliance with EN 175301-803 and cable

Change over (COC)



Normally open (NOC)



M12x1

Change over (COC)



Normally open (NOC)



Pin-assignment

