

Flow Monitor

RVM/U-1



OVERVIEW

Operation

- Float measuring principle

Application

- Cooling systems and cooling circuits
- Mechanical engineering
- Pharmaceutical industry
- Chemical industry
- Research & Development

Features

- Universal orientation
- High reliability
- High switch accuracy
- Infinitely variable switch point adjustment by operator
- EX-version according to ATEX directive available
- UL Recognized version available
- High pressure resistance
- Threaded connection, special thread on request

Installation information

- The operating instructions for RVM/U-1 Module BASICS / ...ATEX must be observed!
- **Download: www.meister-flow.com**

OPERATING DATA

Operating pressure, max.	250 bar (Brass version)
	300 bar (Stainless steel version)
Pressure drop	0,02 – 0,4 bar
Temperature, max.	100 °C (optional 160 °C)
Measuring accuracy	±10 % of full scale

Changed operating data apply to the device in explosion-proof design according to ATEX directive. Refer to the Operating Instructions for RVM/U-1 Module ATEX.

For UL Recognized devices, changed operating data apply. Refer to the Operating Instructions for RVM/U-1 Module BASICS.

Download: www.meister-flow.com

MEASURING RANGES

Type	Switch range for H ₂ O at 20 °C ⁽¹⁾		
	l/min	gph	gpm
RVM/U-1/30	10 – 30	160 – 480	
RVM/U-1/45	15 – 45	240 – 710	
RVM/U-1/60	20 – 60	320 – 950	
RVM/U-1/90	30 – 90		8 – 24
RVM/U-1/150	60 – 150		16 – 40

⁽¹⁾ The specified measuring- / switch ranges are valid for water having a density of 1.00 kg/dm³, vertical installation of the device and flow direction from bottom to top.

Other installation positions or deviation from the operating densities will increase the measurement error specified in the data sheet.

Operating density for water at 20 °C and 1.013 bar (absolute value): 1.00 kg/dm³.

Upon request, special scales for deviating media, different operating conditions and installation positions (only for devices which can be installed in any position) are available.

The specified switch values are switch-off points, i.e. switch values by decreasing flow.

Other measuring- /switch ranges are available upon request.

MATERIALS

Brass version, wetted parts

Spring:	1.4571
Gaskets ⁽²⁾ :	NBR (optional FKM, EPDM) ⁽³⁾
Magnets:	Hard ferrite
Device body:	Brass, nickel-plated
all other wetted parts:	Brass

Stainless steel version, wetted parts

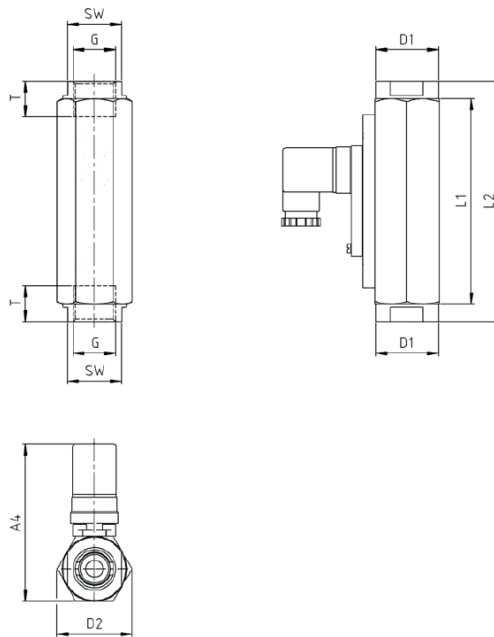
Spring:	1.4571
Gaskets ⁽²⁾ :	FKM (optional NBR, EPDM) ⁽³⁾
Magnets:	Hard ferrite
Device body:	1.4571
all other wetted parts:	1.4571

⁽²⁾ Only with process connections

⁽³⁾ Other gasket materials on request

TECHNICAL DRAWING

Brass version (6-sided)



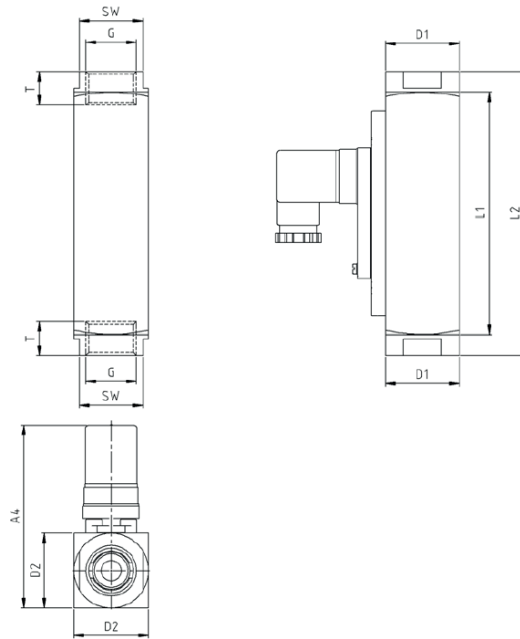
SUMMARY OF TYPES

Brass version (6-sided)

Type	Overall dimensions [mm]												Weight approx. [g]
	G	DN	SW	L1	L2	T	D1	D2	A1	A2	A3	A4	
RVM/U-1/30	3/4"	20	34	130	152	15	40	47	-	-	-	~99	1240
	1"	25	41	130	-	17	-	47	-	-	-	~99	1030
RVM/U-1/45	3/4"	20	34	130	152	15	40	47	-	-	-	~99	1240
	1"	25	41	130	-	17	-	47	-	-	-	~99	1030
RVM/U-1/60	3/4"	20	34	130	152	15	40	47	-	-	-	~99	1240
	1"	25	41	130	-	17	-	47	-	-	-	~99	1030
RVM/U-1/90	3/4"	20	34	130	152	15	40	47	-	-	-	~99	1240
	1"	25	41	130	-	17	-	47	-	-	-	~99	1030
RVM/U-1/150	1"	25	41	130	-	17	-	47	-	-	-	~99	1030

TECHNICAL DRAWING

Stainless steel version (4-sided)



SUMMARY OF TYPES

Stainless steel version (4-sided)

Type	Overall dimensions [mm]												Weight approx. ca. [g]
	G	DN	SW	L1	L2	T	D1	D2	A1	A2	A3	A4	
RVM/U-1/30	3/4"	20	34	130	152	15	40	40	-	-	-	~98	1320
	1"	25	40	130	-	17	-	40	-	-	-	~98	1130
RVM/U-1/45	3/4"	20	34	130	152	15	40	40	-	-	-	~98	1320
	1"	25	40	130	-	17	-	40	-	-	-	~98	1130
RVM/U-1/60	3/4"	20	34	130	152	15	40	40	-	-	-	~98	1320
	1"	25	40	130	-	17	-	40	-	-	-	~98	1130
RVM/U-1/90	3/4"	20	34	130	152	15	40	40	-	-	-	~98	1320
	1"	25	40	130	-	17	-	40	-	-	-	~98	1130
RVM/U-1/150	1"	25	40	130	-	17	-	40	-	-	-	~98	1130

ELECTRICAL DATA

Change over (CO)	250V · 1,5A · 50VA ⁽³⁾
Normally open (NO)	250V · 3A · 100VA
Change over M12x1 (-20 °C – 85 °C)	250V · 1,5A · 50VA ⁽³⁾
Normally open M12x1 (-20 °C – 85 °C)	250V · 3A · 100VA
Change over PLC	250V · 1A · 60VA

EX-version in compliance with ATEX directive

ATEX II 2 G Ex mb II T6 & ATEX II 2 D Ex tD A21 IP67 T80 °C

ATEX II 2 G Ex mb II T5 & ATEX II 2 D Ex tD A21 IP67 T100 °C

Change over	250V · 1A · 30VA ⁽³⁾
Normally open	250V · 2A · 60VA

UL Recognized switch contacts

Change over	240V · 1,5A · 50VA ⁽³⁾
Normally open	250V · 3A · 100VA

⁽³⁾ Minimum load 3VA

ELECTRICAL CONNECTION

- Connector in compliance with EN 175301-803, Form A (DIN 43650, Form A)
- Connector M12x1
- Cable (1 m)

EX-version in compliance with ATEX directive

- Cable (2 m)

UL Recognized switch contacts

- Connector in compliance with EN 175301-803, Form A
- Cable (1 m)

Ingress Protection

IP65: Connector in compliance with EN 175301-803, Form A
IP67: Cable or connector M12x1

Output signal

The contact opens / changes when the flow decreases below the set point.

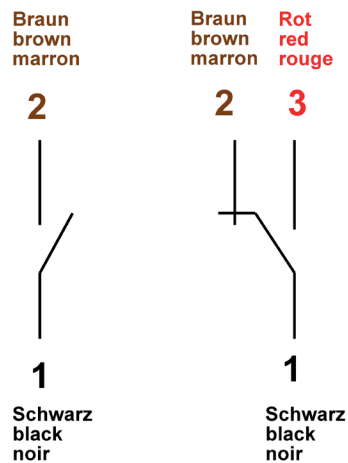
Power supply

Not required (potential-free reed contacts)

Connector types

Other connector types or cable lengths on request

CONNECTION DIAGRAM





MASTERPIECES MADE IN GERMANY

RVMU-1 6 0001 12-15 EM

Meister Strömungstechnik GmbH • Im Gewerbegebiet 2 • 63831 Wiesen / Germany
Tel. +49 (0) 6096 9720-0 • Fax +49 (0) 6096 9720-30 • sales@meister-flow.com • www.meister-flow.com
The general business terms of Meister Strömungstechnik GmbH are valid • All rights reserved

