



Rotary - Standard

Rotaries are a common point level indicator used for high-, mid- and low-level material detection in bins, tanks, and silos. Rotaries are wired to a horn, alarm or light panel to send an alert when material reaches the desired level. BinMaster's standard and fail-safe rotaries can be fit with a wide assortment of paddles and mounting plates, plus a compact mini-rotary is offered for constrained spaces. Extended rotaries for top mounting applications for high level detection, extensions for side mounting through thick bin walls, and stainless steel process connections for corrosive material ensure BinMaster has the right rotary for challenging applications.

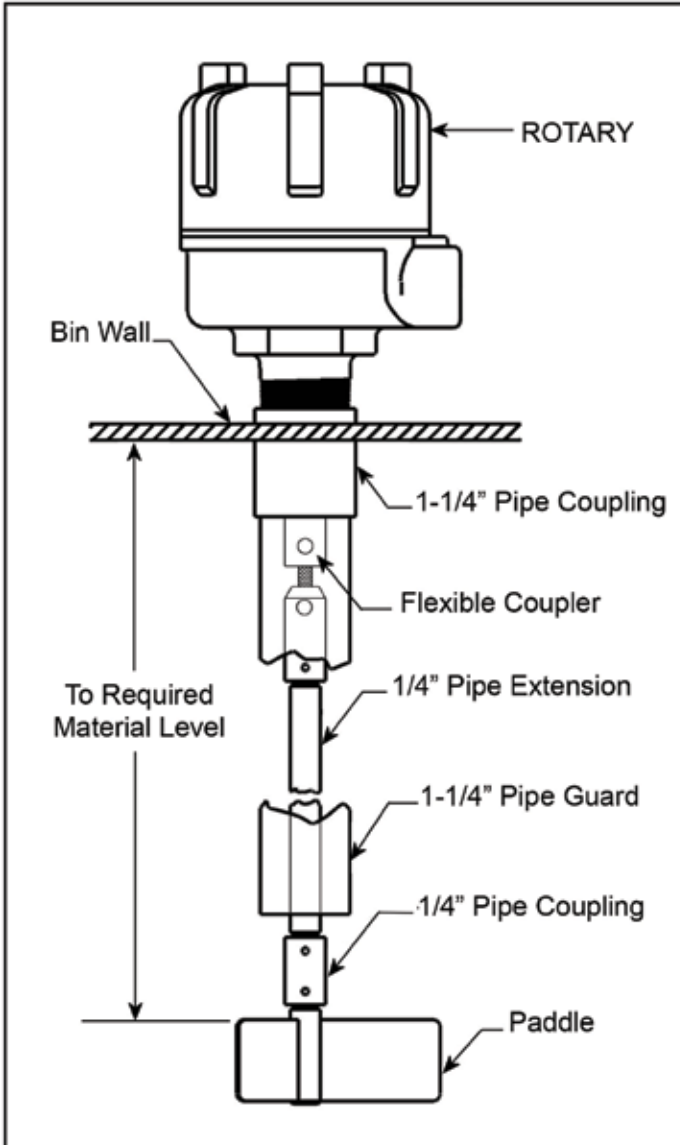
| Description | Part No. |
|---|--|
| BMRX POWER PACS | |
| BMRX - 115 VAC - Rotary level indicator power pac featuring a triple-thread, screw-off cover, dual conduit entries, DPDT relay contacts, selectable fail-safe protection, FDA recognized powder coat finish, hazardous location approval, and C/US listed for Class I, Groups C & D and Class II, Groups E, F & G. | Standard: 730-0504 ATEX: 730-0504-EX Process Connection: 730-0569 |
| BMRX - 230 VAC - Rotary level indicator power pac featuring a triple-thread, screw-off cover, dual conduit entries, DPDT relay contacts, selectable fail-safe protection, FDA recognized powder coat finish, hazardous location approval, and C/US listed for Class I, Groups C & D and Class II, Groups E, F & G. | Standard: 730-0503 ATEX: 730-0503-EX Process Connection: 730-0570 |
| BMRX - 24 VAC - Rotary level indicator 24 VAC with dual conduit entries, DPDT relay contacts, selectable fail-safe protection, and FDA recognized powder coat finish, hazardous location approval, and C/US listed for Class I, Groups C & D and Class II, Groups E, F & G. | Standard: 730-0505 ATEX: 730-0505-EX |
| BMRX - 24 VDC - Rotary level indicator 12 to 24 VDC with dual conduit entries, DPDT relay contacts, selectable fail-safe protection, and FDA recognized powder coat finish, hazardous location approval, and C/US listed for Class I, Groups C & D and Class II, Groups E, F & G. | Standard: 730-0661 ATEX: 730-0661-EX Process Connection: 730-0664 |
| MAXIMA+ POWER PACS | |
| MAXIMA+ 24/115/230 VAC - Fail-safe rotary level indicator power pac with hazardous location approval, C/US listed for Class II, Groups E, F, & G and a visual LED status light monitoring paddle rotation, paddle covered, and fault conditions. Features a triple-thread, screw-off cover, dual conduit entries, DPDT relay contacts, fail-safe protection, SPDT normal and fault relay contact and FDA recognized powder coat finish. | Standard: 730-0528 ATEX: 730-0528-EX Process Connection: 730-0574 |
| MAXIMA+ 12-24VDC - Fail-safe rotary level indicator power pac with hazardous location approval, C/US listed for Class II, Groups E, F, & G and a visual LED status light monitoring paddle rotation, paddle covered, and fault conditions. Features a triple-thread, screw-off cover, dual conduit entries, DPDT relay contacts, fail-safe protection, SPDT normal and fault relay contact and FDA recognized powder coat finish. | Standard: 730-0662 ATEX: 730-0662-EX Process Connection: 730-0665 |
| FITTINGS | |
| GRPC-1 - 1-1/4" stainless steel process connection fitting & o-ring for 1" coupled pipe guards | 416-0507 |
| GRPC-2 - 1-1/2" stainless steel process connection fitting & o-ring for 1" coupled pipe guards | 416-0508 |
| GRPC-3 - 1-1/4" Aluminum process connection fitting & o-ring for 1" coupled pipe guards | 416-0505 |
| GRPC-4 - 1-1/2" Aluminum process connection fitting & o-ring for 1" coupled pipe guards | 416-0506 |
| SSPC-1 - 1-1/4" NPT stainless steel process connection with bearing and seal | 416-0547 |
| SSPC-2 - 1-1/2" NPT stainless steel process connection with bearing and seal | 416-0548 |
| SSPC-3 - 1-1/4" NPT stainless steel process connection with bearing and seal, includes teflon bearing and grease packed bearings to provide additional corrosion resistance | 416-0736 |
| COUPLINGS | |
| GRSS-1 - Solid shaft, stainless steel side mount coupler | 299-0004 |

| Description | Part No. |
|---|----------|
| GRFC-1 - Flexible stainless steel top mount coupler | 416-0155 |
| GRFS-1 - Molded neoprene, flexible shaft, stainless steel top mount coupler | 416-0283 |
| BSA - Bindicator stainless steel shaft adapter, to couple BinMaster rotary PowerPac to a Bindicator shaft coupler or Bindicator Paddle. | 416-0294 |
| MOUNTING PLATES | |
| GRMP-1 - 0° Mild carbon steel half coupling 1.25" with black neoprene gasket | 730-0020 |
| GRMP-2 - GRMP-2 - 0° Mild carbon steel full coupling 1.25", powder coated with black neoprene gasket | 730-0022 |
| GRMP-3 - 0° stainless steel half coupling 1.25" mounting plate with black neoprene gasket | 730-0021 |
| GRMP-4 - 0° stainless steel full coupling 1.25" with black neoprene gasket | 730-0023 |
| GRMP-9 - 10° Mild carbon steel full coupling 1.25", powder coated with black neoprene gasket | 730-0489 |
| GRMP-13 - 30° Mild carbon steel full coupling 1.25", powder coated with black neoprene gasket | 730-0508 |
| GRMP-14 - 0° Mild carbon steel half coupling 1.25" with white silicone gasket | 730-0567 |
| GRMP-15 - 0° stainless steel full coupling 1.25" with white silicone gasket | 730-0568 |
| GRMP-16 - 20° Mild carbon steel full coupling 1.25", powder coated with black neoprene gasket | 730-0663 |
| PADDLES | |
| GRP-1 - Triple-bladed, stainless steel paddle for light weight materials, paddle turns in a 7" diameter, blades are 2" wide | 416-0161 |
| GRP-2 - Triple-bladed, stainless steel paddle for average weight materials, paddle turns in a 5" diameter, blades are 1-1/2" wide | 416-0152 |
| GRP-3 - Single-blade, stainless steel paddle for average to heavy weight materials, paddle is 2-1/2" long and turns in a 5" diameter, insertable paddle blade is 1/8" thick and 1" wide | 416-0153 |
| GRP-11 - High strength nylon paddle for lightweight materials, triple-bladed paddle turns in a 7" diameter, blades are 2" wide | 299-0009 |
| GRP-12 - High strength nylon paddle for average weight materials, triple-bladed paddle turns in a 5" diameter, blades are 1.5" wide | 299-0010 |
| GRP-22 - Triple-bladed, stainless steel paddle for average to heavy weight materials, turns in a 5" diameter, paddle blades are 1/8" thick and 1" wide | 416-0160 |
| GRP-23 - Single bayonet blade, stainless steel paddle for high level control in light and medium materials and low level control in light materials, insertable paddle blade is 1/8" thick and 1" wide | 416-0154 |
| GRP-24 - 12" Belt paddle for high level control in heavy materials with large particle size | 416-0259 |
| GRP-25 - Triple-bladed, stainless steel paddle for very light materials, paddle turns in a 5" diameter, blades are 5" tall and 1/16" thick | 416-0261 |
| GRP-26 - Triple-bladed, stainless steel paddle for light weight materials, paddle turns in a 7" diameter, blades are 2" wide, direct connect paddle that eliminates the need for GRSS-1 coupler | 416-0265 |
| GRP-27 - Single bayonet blade, stainless steel paddle for high level control in light and medium materials and low level control in light materials, insertable paddle blade is 1/8" thick and 1" wide, direct connect paddle that eliminates the need for GRSS-1 coupler | 416-0266 |
| GRP-28 - Triple-bladed, stainless steel paddle for extremely light materials, paddle turns in a 7" diameter, blades are 5" tall and 1/16" thick | 416-0336 |
| GRP-29 - Triple-bladed, stainless steel paddle for very light materials, paddle turns in a 5" diameter, blades are 5" tall and 1/16" thick, direct connect paddle that eliminates the need for GRSS-1 coupler | 416-0430 |
| GRP-30 - Triple-bladed, stainless steel paddle for average weight materials, paddle turns in a 5" diameter, blades are 1-1/2" wide, direct connect paddle that eliminates the need for GRSS-1 coupler | 416-0100 |
| GRP-31 - Single-bladed, stainless steel paddle for medium to heavy materials, paddle turns in a 6.5" diameter, blade is 3.25" long, 1.63" wide and 1/8" thick | 416-0487 |
| GRP-34 - Folding, single-bladed, insertable paddle for medium materials will fold to insert through a 1-1/4" or 1-1/2" process connection, turns in a 7.5" diameter, blades are 1-1/2" wide, direct connect paddle that eliminates the need for GRSS-1 coupler | 416-0513 |
| GRP-35 - Folding, double-bladed, insertable paddle for medium materials will fold to insert through a 1-1/4" or 1-1/2" process connection, turns in a 7.5" diameter, blades are 1-1/2" wide, direct connect paddle that eliminates the need for GRSS-1 coupler | 416-0514 |
| GRP-36 - Threaded, folding, single-bladed, insertable paddle for medium materials will fold to insert through a 1-1/4" or 1-1/2" process connection, turns in a 7.5" diameter, blades are 1-1/2" wide, for use with standard threaded coupler | 416-0556 |

| Description | Part No. |
|---|-------------|
| GRP-37 - Threaded, folding, double-bladed, insertable paddle for medium materials will fold to insert through a 1-1/4" or 1-1/2" process connection, turns in a 7.5" diameter, blades are 1-1/2" wide, for use with standard threaded coupler | 416-0557 |
| GALVANIZED SHAFT EXTENSIONS | |
| 6" x 1/4"Ø Galvanized shaft extension, includes paddle coupling | 299-0407 |
| 12" x 1/4"Ø Galvanized shaft extension, includes paddle coupling | 299-0408 |
| 15" x 1/4"Ø Galvanized shaft extension, includes paddle coupling | 299-0907 |
| 18" x 1/4"Ø Galvanized shaft extension, includes paddle coupling | 299-0409 |
| 24" x 1/4"Ø Galvanized shaft extension, includes paddle coupling | 299-0410 |
| 30" x 1/4"Ø Galvanized shaft extension, includes paddle coupling | 299-0682 |
| 36" x 1/4"Ø Galvanized shaft extension, includes paddle coupling | 299-0411 |
| 48" x 1/4"Ø Galvanized shaft extension, includes paddle coupling | 299-0412 |
| 60" x 1/4"Ø Galvanized shaft extension, includes paddle coupling | 299-0609 |
| 63" x 1/4"Ø Galvanized shaft extension, includes paddle coupling | 299-0610 |
| 72" x 1/4"Ø Galvanized shaft extension, includes paddle coupling | 299-0611 |
| 84" x 1/4"Ø Galvanized shaft extension, includes paddle coupling | 299-0612 |
| XX x 1/4"Ø Custom Galvanized shaft extension, includes paddle coupling. \$25 minimum on custom shaft lengths. | 999-1000-XX |
| STAINLESS STEEL SHAFT EXTENSIONS | |
| 6" x 1/4"Ø stainless steel shaft extension, includes paddle coupling | 299-0413 |
| 12" x 1/4"Ø stainless steel shaft extension, includes paddle coupling | 299-0414 |
| 15" x 1/4"Ø stainless steel shaft extension, includes paddle coupling | 299-0908 |
| 18" x 1/4"Ø stainless steel shaft extension, includes paddle coupling | 299-0415 |
| 24" x 1/4"Ø stainless steel shaft extension, includes paddle coupling | 299-0416 |
| 30" x 1/4"Ø stainless steel shaft extension, includes paddle coupling | 299-0735 |
| 36" x 1/4"Ø stainless steel shaft extension, includes paddle coupling | 299-0417 |
| 48" x 1/4"Ø stainless steel shaft extension, includes paddle coupling | 299-0418 |
| 60" x 1/4"Ø stainless steel shaft extension, includes paddle coupling | 299-0634 |
| 72" x 1/4"Ø stainless steel shaft extension, includes paddle coupling | 299-0636 |
| 84" x 1/4"Ø stainless steel shaft extension, includes paddle coupling | 299-0637 |
| XX x 1/4"Ø Custom stainless steel shaft extension, includes paddle coupling. \$25 minimum on custom shaft lengths. | 999-1001-XX |
| 1-1/4" STAINLESS STEEL SHAFT GUARDS | |
| 6" x 1-1/4" Diameter stainless steel shaft guard | 299-0912 |
| 12" x 1-1/4" Diameter stainless steel shaft guard | 299-0913 |
| 15" x 1-1/4" Diameter stainless steel shaft guard | 299-0914 |
| 18" x 1-1/4" Diameter stainless steel shaft guard | 299-0737 |
| 24" x 1-1/4" Diameter stainless steel shaft guard | 299-0422 |
| 30" x 1-1/4" Diameter stainless steel shaft guard | 299-0738 |
| 36" x 1-1/4" Diameter stainless steel shaft guard | 299-0423 |
| 48" x 1-1/4" Diameter stainless steel shaft guard | 299-0424 |
| 60" x 1-1/4" Diameter stainless steel shaft guard | 299-0638 |
| 63" x 1-1/4" Diameter stainless steel shaft guard | 299-0639 |
| 72" x 1-1/4" Diameter stainless steel shaft guard | 299-0640 |

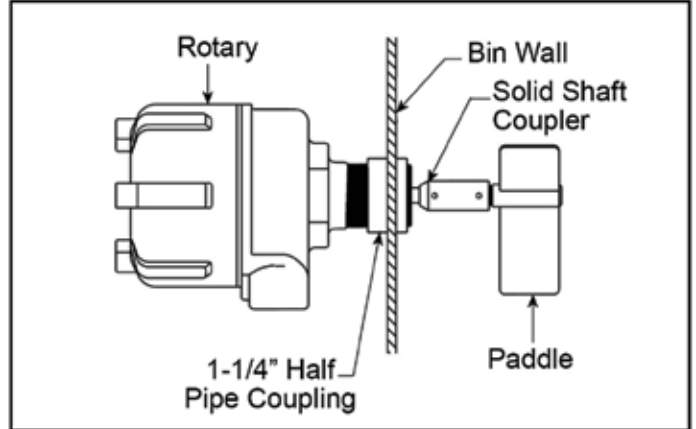
| Description | Part No. |
|--|-------------|
| 84" x 1-1/4" Diameter stainless steel shaft guard | 299-0641 |
| XX x 1-1/4" Custom diameter stainless steel shaft guard. \$25 minimum on custom guard lengths. | 999-1003-XX |
| 1-1/4" GALVANIZED SHAFT GUARDS | |
| 6" x 1-1/4" Diameter Galvanized shaft guard | 299-0909 |
| 12" x 1-1/4" Diameter Galvanized shaft guard | 299-0910 |
| 15" x 1-1/4" Diameter Galvanized shaft guard | 299-0911 |
| 18" x 1-1/4" Diameter Galvanized shaft guard | 299-0681 |
| 24" x 1-1/4" Diameter Galvanized shaft guard | 299-0419 |
| 30" x 1-1/4" Diameter Galvanized shaft guard | 299-0736 |
| 36" x 1-1/4" Diameter Galvanized shaft guard | 299-0420 |
| 48" x 1-1/4" Diameter Galvanized shaft guard | 299-0421 |
| 60" x 1-1/4" Diameter Galvanized shaft guard | 299-0613 |
| 63" x 1-1/4" Diameter Galvanized shaft guard | 299-0614 |
| 72" x 1-1/4" Diameter Galvanized shaft guard | 299-0615 |
| 84" x 1-1/4" Diameter Galvanized shaft guard | 299-0616 |
| XX x 1-1/4" Custom diameter Galvanized shaft guard. \$25 minimum on custom guard lengths. | 999-1002-XX |
| 1" GALVANIZED SHAFT GUARDS | |
| 4" x 1" Diameter Galvanized shaft guard | 299-0915 |
| 6" x 1" Diameter Galvanized shaft guard | 299-0916 |
| 8" x 1" Diameter Galvanized shaft guard | 299-0917 |
| 10" x 1" Diameter Galvanized shaft guard | 299-0918 |
| 12" x 1" Diameter Galvanized shaft guard | 299-0919 |
| 15" x 1" Diameter Galvanized shaft guard | 299-0920 |
| 18" x 1" Diameter Galvanized shaft guard | 299-0921 |
| 24" x 1" Diameter Galvanized shaft guard | 299-0922 |
| 30" x 1" Diameter Galvanized shaft guard | 299-0923 |
| 36" x 1" Diameter Galvanized shaft guard | 299-0924 |
| 48" x 1" Diameter Galvanized shaft guard | 299-0925 |
| 60" x 1" Diameter Galvanized shaft guard | 299-0926 |
| 72" x 1" Diameter Galvanized shaft guard | 299-0927 |
| XX x 1" Custom Diameter Galvanized shaft guard. \$25 minimum on custom guard lengths. | 299-0928-XX |
| 1" STAINLESS STEEL SHAFT GUARDS | |
| 6" x 1" Diameter stainless steel shaft guard | 299-0760 |
| 12" x 1" Diameter stainless steel shaft guard | 299-0761 |
| 15" x 1" Diameter stainless steel shaft guard | 299-0762 |
| 18" x 1" Diameter stainless steel shaft guard | 299-0763 |
| 24" x 1" Diameter stainless steel shaft guard | 299-0764 |
| 30" x 1" Diameter stainless steel shaft guard | 299-0765 |
| 36" x 1" Diameter stainless steel shaft guard | 299-0766 |
| 48" x 1" Diameter stainless steel shaft guard | 299-0767 |
| 60" x 1" Diameter stainless steel shaft guard | 299-0768 |

| Description | Part No. |
|--|-------------|
| 72" x 1" Diameter stainless steel shaft guard | 299-0769 |
| XX x 1" Custom Diameter stainless steel shaft guard. \$25 minimum on custom guard lengths | 299-0929-XX |
| ACCESSORIES | |
| Rotary fitting to allow 1" guard pipe extensions to be adjusted for variable insertion lengths. The fitting threads into BinMaster 1 1/4" mounting plate and has set screws to allow variable height adjustments. | 416-0641 |
| 1-1/4" Galvanized NPT female coupler to attach guard pipes together | 201-9010 |
| 1-1/4" stainless steel NPT female coupler to attach guard pipes together | 201-9033 |
| 1" Aluminum NPT female coupler to attach guard pipes together | 201-9034 |
| 1" stainless steel NPT female coupler to attach guard pipes together | 201-9035 |
| 1/4" Galvanized NPT female coupler to attach paddle to shaft extensions or shaft extensions together | 201-9028 |
| 1/4" SS NPT female coupler to attach paddle to shaft extensions or shaft extensions together | 201-9029 |
| 1/4" Aluminum NPT female coupler to attach paddle to shaft extensions or shaft extensions together | 201-9036 |



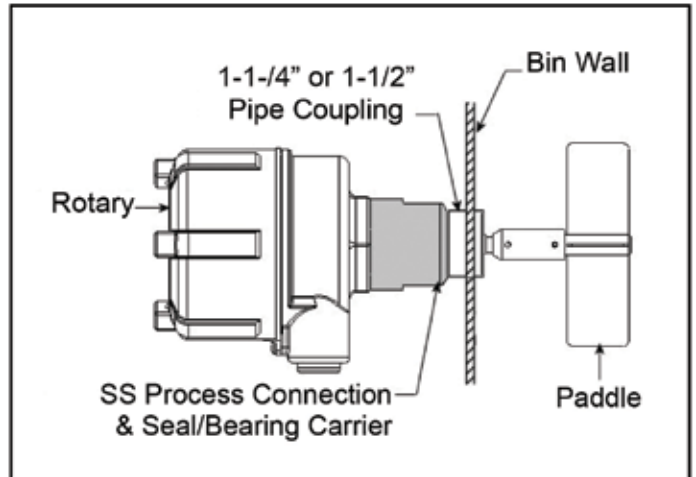
Standard Extended Vertical Mounted Rotary

Standard mounted rotary for straight vertical installations. Angled mounting plates are available for sloped roof installations. The pipe guards and extensions are available in both galvanized or stainless steel.



Standard Horizontal or Vertical Mounted Rotary

Standard mounted rotary for vertical, horizontal and angled installations



Standard Horizontal or Vertical Mounted Rotary with Optional SS Process Connection Bearing Carrier

The optional stainless steel process connection and seal/bearing carrier is used in corrosive applications. All parts in contact with the materials in the bin are stainless steel.

Paddle Assemblies

GRP-1
Stainless steel for light materials, 3-vane paddle, turns in 7" diameter.

GRP-2
Stainless steel for medium materials, 3-vane paddle, turns in 5" diameter.

GRP-3
Stainless steel for heavy materials, single vane, turns in 5" diameter, insertable through a 1-1/4" or 1-1/2" NPT opening.

GRP-11
Economical nylon paddle for light materials, 3-vane paddle, turns in 7" diameter.

GRP-12
Economical nylon paddle for medium materials 3-vane paddle, turns in 5" diameter.

GRP-22
Stainless steel for heavy materials, 3-vane paddle, turns in 5" diameter.

GRP-23
Stainless steel single bayonet style paddle, turns in 5" diameter. Insertable through a 1-1/4" or 1-1/2" NPT opening.

GRP-24
12" belt paddle for use in heavy material with large particulate size such as rock, coal or aggregate.

GRP-25
Stainless steel for very light materials, 3-vane, paddles are 5" tall and 1/16" thick to increase resistance in light materials.

GRP-26
Direct connect version of GRP-1 for light materials, 3-vane, stainless steel, 7" diameter with blades that are 2" wide (side mounting only).

GRP-27
Direct connect version of GRP-23 paddle for medium materials. Insertable, single bayonet style, stainless steel, blade is 1/8" thick and 1" wide (side mounting only).

GRP-28
Stainless steel for extremely light materials, 3-vane, 7" diameter for added resistance, blades are 5" tall and 1/16" thick to increase resistance in light materials.

GRP-29
Direct connect version of GRP-25, 3-vane, stainless steel paddle for very light materials, paddles are 5" tall and 1/16" thick to increase resistance in light materials (side mounting only).

GRP-30
Direct connect version of GRP-2 for medium materials, 3-vane paddle, stainless steel, turns in 5" diameter, (side mounting only).

GRP-31
Stainless steel, single-bladed, 3-1/4" long for heavy materials, turns in 6-1/2" diameter, blade is 1/8" thick and 1.63" wide.

GRP-34
Stainless steel, single-bladed, direct connect, insertable paddle, folds to insert through a 1-1/4" or 1-1/2" NPT opening, turns in 7-1/2" diameter. Paddle blades are 1-1/2" wide.

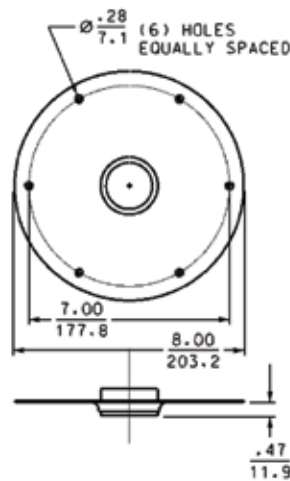
GRP-35
Stainless steel, double-bladed, direct connect, insertable paddle, folds to insert through a 1-1/4" or 1-1/2" NPT opening, turns in 7-1/2" diameter, paddle blades are 1-1/2" wide.

GRP-36
Stainless steel, single-bladed, threaded, insertable paddle, folds to insert through a 1-1/4" or 1-1/2" NPT opening, turns in 7-1/2" diameter, paddle blades are 1-1/2" wide.

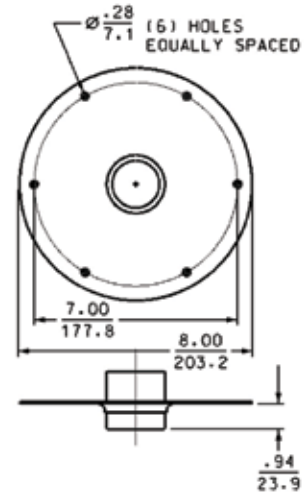
GRP-37
Stainless steel, double-bladed, threaded, insertable paddle, folds to insert through a 1-1/4" or 1-1/2" NPT opening, turns in 7-1/2" diameter, paddle blades are 1-1/2" wide.

Mounting Plates

Mounting plates allow the rotary units to be mounted from the outside of a vessel on a curved or flat surface. A half coupling mounting plate is used in side mount installations. A full coupling mounting plate is for use in top mount installations where a shaft extension and shaft guards are required. Both mounting plates are available in powder coated carbon steel and stainless steel for use in corrosive environments.



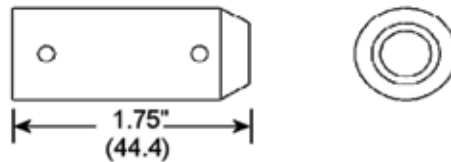
Half Coupling Mounting Plate



Full Coupling Mounting Plate

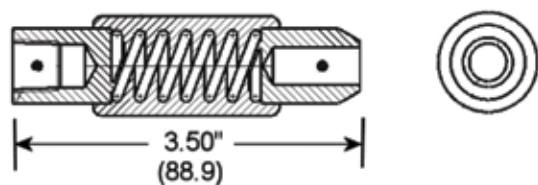
Solid Shaft Coupler

A short solid shaft coupler should be used in side mount installations.



Flexible Shaft Coupler

The flexible coupler should be used in top mount installations to absorb side loads and protect the internal workings of the unit.

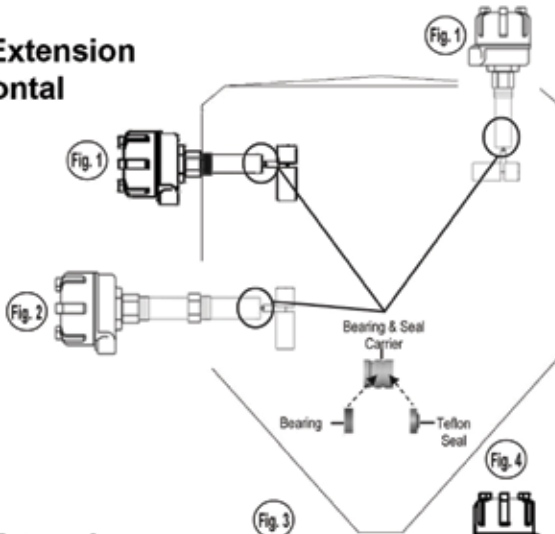




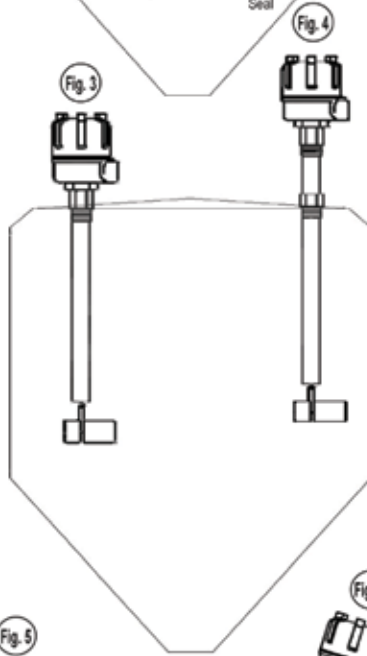
Vertical
Mounted
Flexible
Hanging
Rotary
Extension



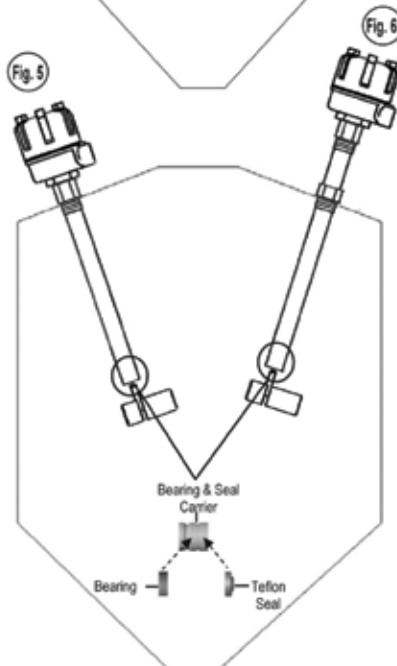
Pipe Extension Horizontal



Pipe Extension Vertical



Pipe Extension Vertical or Angled

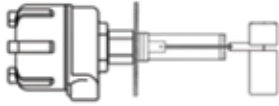


This extension was designed for horizontal applications that need the paddle extended from 6 to 12 inches from the vessel sidewall without compromising any strength. A bearing and shaft seal are at the shaft guard end to center the shaft extension and prevent material from getting up into shaft guard. This unit can also be installed in angled hoppers or vertically from the top. A single vane folding insertable paddle is recommended. This paddle will collapse to fit through a standard 1-1/4" or 1-1/2" process connection from outside the vessel, eliminating the need to cut large holes or go into the vessel. A heat tube is available for high temperature applications.

This extension was designed to extend vertically with a 1" shaft guard and 1/4" shaft extension. The shaft guard is coupled directly into the process connection so it can be mounted without having to use a full coupling mounting plate. A double vane folding insertable paddle is recommended. This paddle will collapse to fit through a standard 1-1/4" or 1-1/2" process connection from outside the vessel, eliminating the need to cut large holes or gain access into the vessel. It also allows you to simply drop in a rotary where another kind of technology may not be working well in your application. A heat tube is available for high temperature applications.

This extension was designed for angled vertical applications. A bearing and shaft seal are at the shaft guard end to center the shaft extension and prevent material from getting up into shaft guard. The shaft guard is coupled directly into the process connection so it can be mounted without having to use a full coupling mounting plate. A double or single vane folding insertable paddle is recommended. This paddle will collapse to fit through a standard 1-1/4" or 1-1/2" process connection from outside the vessel, eliminating the need to cut large holes or gain access into the vessel. A heat tube is available for high temperature applications.

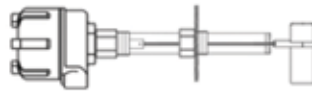
Fig. 1



Extended Horizontal or Vertical Mounted Rotary *with* Seal and Bearing at Tube End

Extended rotary with 1" protection tube for vertical, horizontal and angled installations. Comes in 6", 8", 10", or 12" fixed insertion lengths.

Fig. 2



Extended Horizontal or Vertical Mounted Rotary *with* Seal and Bearing at Tube End and Heat Tube

Extended rotary with 1" protection tube and heat tube for high temp. vertical, horizontal and angled installations. Heat tube comes in 8" or 12" lengths. Protection tube comes in 6", 8", 10" or 12" fixed insertion lengths.

Fig. 3



Coupled Extended Vertical Mounted Rotary *without* Seal and Bearing at Tube End

Extended rotary with 1" shaft guard for straight vertical installations. The shaft guard is coupled directly into the process connection so it can be inserted through a 1-1/4" or 1-1/2" fitting.

Fig. 4



Coupled Extended Vertical Mounted Rotary *without* Seal and Bearing at Tube End and Heat Tube

Extended rotary with 1" shaft guard and heat tube for high temp. Straight vertical installations. The shaft guard is coupled directly into the process connection so it can be inserted through a 1-1/4" or 1-1/2" fitting.

Fig. 5



Coupled Extended Vertical Mounted Rotary *with* Seal and Bearing at Tube End

Extended rotary with 1" shaft guard for straight vertical and angled installations. The shaft guard is coupled directly into the process connection so it can be inserted through a 1-1/4" or 1-1/2" fitting.

Fig. 6

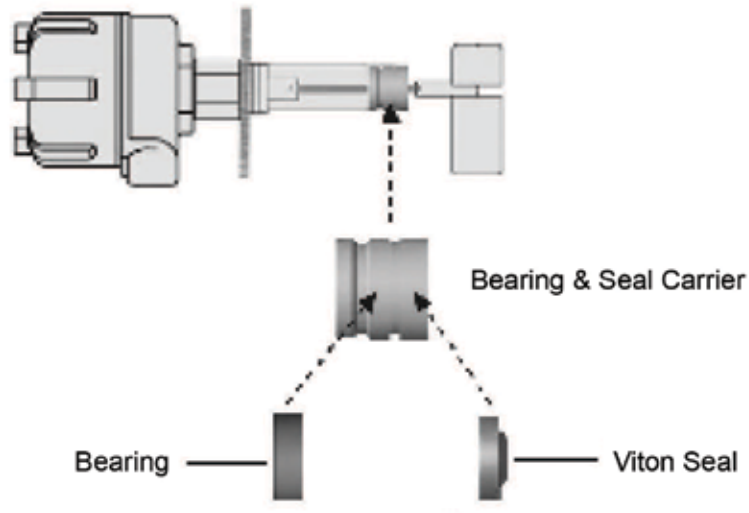


Coupled Extended Vertical Mounted Rotary *with* Seal and Bearing at Tube End and Heat Tube

Extended rotary with 1" protection tube and heat tube for high temp. Straight vertical and angled installations. The shaft guard is coupled directly into the process connection so it can be inserted through a 1-1/4" or 1-1/2" fitting.

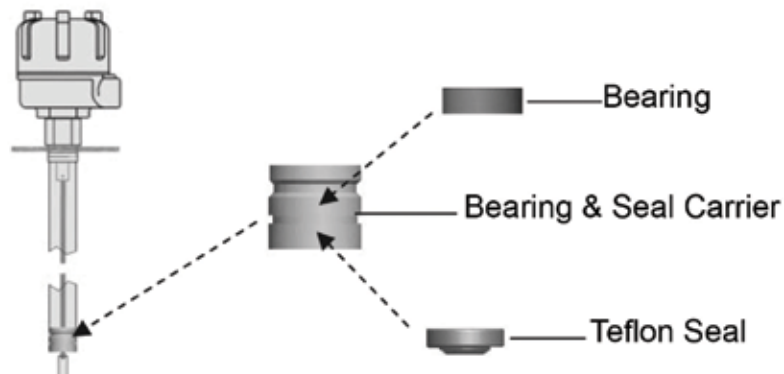
Bearing and Viton Seal at Tube End

The bearing and Viton seal are used to keep the shaft centered and turning without restraint when mounting from the top of a vessel at an angle, or horizontally. It also seals the shaft guard so no material can be forced up into the pipe. The bearing and Viton seal can operate in temperatures up to 500°F (260°C).

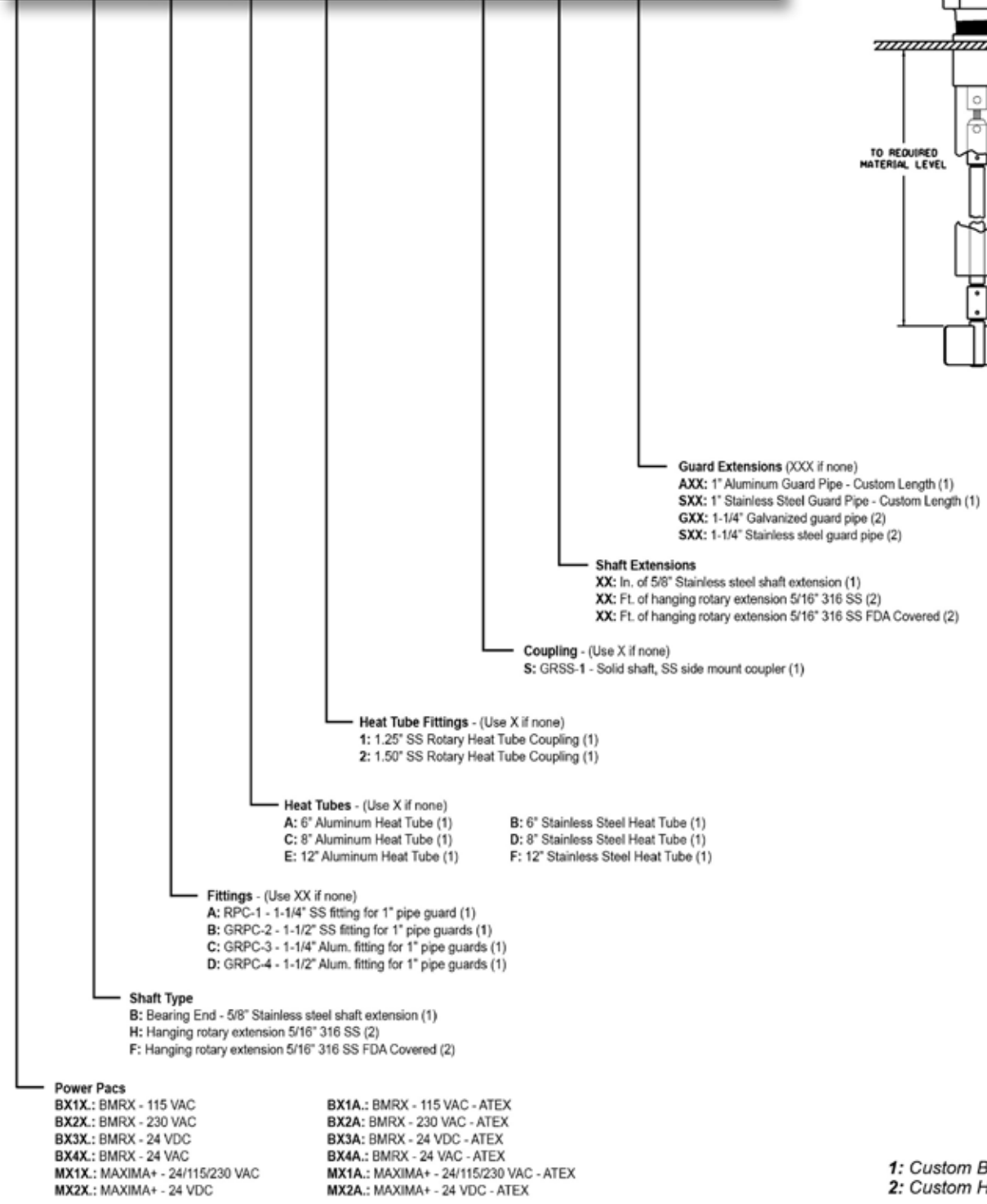
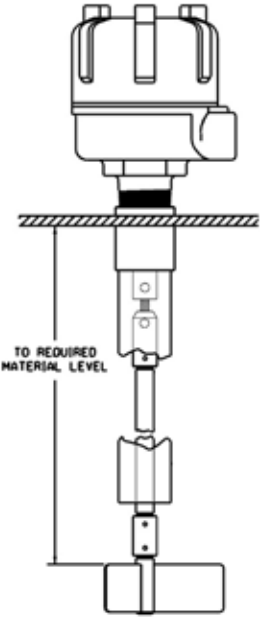


Bearing and Teflon Seal at Tube End

The bearing and Teflon seal are used to keep the shaft centered and turning without restraint when mounting from the top of a vessel at an angle, or horizontally. It also seals the shaft guard so no material can be forced up into the pipe. The bearing and Teflon seal can operate in temperatures up to 500°F (260°C).



| | | | | | | | | | |
|----------------|---|---|---|---|---|---|----|-----|-----|
| Mark X if none | | | | | | | | | |
| | | | | | | | | | |
| Sample | | | | | | | | | |
| BX1X. | B | A | A | 1 | X | S | 06 | S06 | XXX |



| Description | CODE |
|-------------|------|
|-------------|------|

MOUNTING PLATES & PADDLES

Refer to Rotary - Standard section for paddle and mounting plate part numbers and prices

POWER PACS

NOTE: MAXIMA+ Power Pacs cannot be used with flexible hanging cable.

| | |
|---|-------|
| BMRX - 115 VAC - Rotary level indicator power pac featuring a triple-thread, screw-off cover, dual conduit entries, DPDT relay contacts, selectable fail-safe protection, FDA recognized powder coat finish, hazardous location approval, and C/US listed for Class I, Groups C & D and Class II, Groups E, F & G. | BX1X. |
| BMRX - 230 VAC - Rotary level indicator power pac featuring a triple-thread, screw-off cover, dual conduit entries, DPDT relay contacts, selectable fail-safe protection, FDA recognized powder coat finish, hazardous location approval, and C/US listed for Class I, Groups C & D and Class II, Groups E, F & G. | BX2X. |
| BMRX - 24 VDC - Rotary level indicator 12 to 24 VDC with dual conduit entries, DPDT relay contacts, selectable fail-safe protection, and FDA recognized powder coat finish, hazardous location approval, and C/US listed for Class I, Groups C & D and Class II, Groups E, F & G. | BX3X. |
| BMRX - 24 VAC - Rotary level indicator 24 VAC with dual conduit entries, DPDT relay contacts, selectable fail-safe protection, and FDA recognized powder coat finish, hazardous location approval, and C/US listed for Class I, Groups C & D and Class II, Groups E, F & G. | BX4X. |
| MAXIMA+ 24/115/230 VAC - Fail-safe rotary level indicator power pac with hazardous location approval, C/US listed for Class II, Groups E, F, & G and a visual LED status light monitoring paddle rotation, paddle covered, and fault conditions. Features a triple-thread, screw-off cover, dual conduit entries, DPDT relay contacts, fail-safe protection, SPDT normal and fault relay contact and FDA recognized powder coat finish. | MX1X. |
| MAXIMA+ 12-24VDC - Fail-safe rotary level indicator power pac with hazardous location approval, C/US listed for Class II, Groups E, F, & G and a visual LED status light monitoring paddle rotation, paddle covered, and fault conditions. Features a triple-thread, screw-off cover, dual conduit entries, DPDT relay contacts, fail-safe protection, SPDT normal and fault relay contact and FDA recognized powder coat finish. | MX2X. |
| BMRX - 115 VAC - ATEX - Rotary level indicator power pac featuring a triple-thread, screw-off cover, dual conduit entries, DPDT relay contacts, selectable fail-safe protection, FDA recognized powder coat finish, hazardous location approval, and C/US listed for Class I, Groups C & D and Class II, Groups E, F & G. | BX1A. |
| BMRX - 230 VAC - ATEX - Rotary level indicator power pac featuring a triple-thread, screw-off cover, dual conduit entries, DPDT relay contacts, selectable fail-safe protection, FDA recognized powder coat finish, hazardous location approval, and C/US listed for Class I, Groups C & D and Class II, Groups E, F & G. | BX2A. |
| BMRX - 24 VDC - ATEX - Rotary level indicator 12 to 24 VDC with dual conduit entries, DPDT relay contacts, selectable fail-safe protection, and FDA recognized powder coat finish, hazardous location approval and C/US listed for Class I, Groups C & D and Class II, Groups E, F, & G. | BX3A. |
| BMRX - 24 VAC - ATEX - Rotary level indicator 24 VAC with dual conduit entries, DPDT relay contacts, selectable fail-safe protection, and FDA recognized powder coat finish, hazardous location approval, and C/US listed for Class I, Groups C & D and Class II, Groups E, F, & G. | BX4A. |
| MAXIMA+ 24/115/230 VAC - ATEX - Fail-safe rotary level indicator power pac with hazardous location approval, C/US listed for Class II, Groups E, F & G and a visual LED status light monitoring paddle rotation, paddle covered, and fault conditions. Features a triple-thread, screw-off cover, dual conduit entries, DPDT relay contacts, fail-safe protection, SPDT normal and fault relay contact and FDA recognized powder coat finish. | MX1A. |
| MAXIMA+ 12-24 - ATEX - Fail-safe rotary level indicator power pac with hazardous location approval, C/US listed for Class II, Groups E, F, & G and a visual LED status light monitoring paddle rotation, paddle covered, and fault conditions. Features a triple-thread, screw-off cover, dual conduit entries, DPDT relay contacts, fail-safe protection, SPDT normal and fault relay contact and FDA recognized powder coat finish. | MX2A. |

SHAFT TYPE

| | |
|--|---|
| Bearing End - 5/8" stainless steel shaft extension | B |
| Hanging rotary extension 5/16" 316 SS | H |
| Hanging rotary extension 5/16" 316 SS FDA Covered | F |

FITTINGS

| | |
|--|---|
| GRPC-1 - 1-1/4" stainless steel process connection fitting & o-ring for 1" coupled pipe guards | A |
| GRPC-2 - 1-1/2" stainless steel process connection fitting & o-ring for 1" coupled pipe guards | B |
| GRPC-3 - 1-1/4" Aluminum process connection fitting & o-ring for 1" coupled pipe guards | C |
| GRPC-4 - 1-1/2" Aluminum process connection fitting & o-ring for 1" coupled pipe guards | D |

| Description | CODE |
|---|------|
| HEAT TUBES | |
| 6" Aluminum heat tube for rotaries in high temperature applications. | A |
| 8" Aluminum heat tube for rotaries in high temperature applications. | C |
| 12" Aluminum heat tube for rotaries in high temperature applications. | E |
| 6" stainless steel heat tube for rotaries in high temperature applications. | B |
| 8" stainless steel heat tube for rotaries in high temperature applications. | D |
| 12" stainless steel heat tube for rotaries in high temperature applications. | F |
| HEAT TUBE FITTINGS | |
| 1.25" SS Rotary Heat Tube Coupling | 1 |
| 1.50" SS Rotary Heat Tube Coupling | 2 |
| COUPLING | |
| GRSS-1 - Solid shaft, stainless steel side mount coupler | S |
| SHAFT EXTENSION LENGTH | |
| in. of 3/8" stainless steel shaft extension, includes paddle coupling. Used only with rotaries with a shaft type of Bearing End. | XX |
| ft. of vertical mounted flexible hanging rotary extension, single flexible Ø 5/16" (8 mm) 316 stainless steel cable with counterweight and coupler to attach power pac shaft. Counterweight includes shaft to connect paddle. Custom length, maximum length 14'. Used only with rotaries with a shaft type of Hanging. | XX |
| ft. of vertical mounted flexible hanging rotary extension, single flexible Ø 5/16" (8 mm) 316 stainless steel cable covered in FDA Grade Nylon with counterweight and coupler to attach power pac shaft. Counterweight includes shaft to connect paddle. Custom length, maximum length 14'. Used only with rotaries with a shaft type of Hanging with FDA Approved Cable. | XX |
| GUARD EXTENSIONS | |
| inches of 1" Aluminum guard pipe | AXX |
| inches of 1" Stainless steel guard pipe | SXX |
| inches of 1-1/4" Galvanized guard pipe | GXX |
| inches of 1-1/4" Stainless steel guard pipe | SXX |



Rotary - Mini

The mini-rotary alerts users to material levels in smaller bins and hoppers that contain plastics, food, seed, chemicals, and other powder and bulk solid materials. Its small size and rugged design allows for use of a level sensor where other types of equipment simply will not fit. Its principle of operation is simple: a slow speed motor rotates the paddle when no material is present. When material comes into contact with the paddle, the paddle stops and an alert—such as a light or horn—notifies the operator the bin is full. When the bin is emptied, the paddle begins rotating again. The mini-rotary is simple to install on the side or top of a bin and is appropriate for a variety of light to heavy materials. Paddle options are available, making it adjustable for a wide range of material densities.

| Description | Part No. |
|--|----------|
| MINI-ROTARY COMPLETE UNITS | |
| MR-G-110 - Mini-Rotary 110 VAC with 4-vane, polycarbonate paddle, complete with SPDT contacts | 730-0350 |
| MR-G-220 - Mini-Rotary 220 VAC with 4-vane, polycarbonate paddle, complete with SPDT contacts | 730-0352 |
| MR-G-24 - Mini-Rotary 24 VAC with 4-vane, polycarbonate paddle, complete with SPDT contacts | 730-0392 |
| MR-H-110 - Mini-Rotary 110 VAC with insertable bayonet polycarbonate paddle, complete with SPDT contacts | 730-0351 |
| MR-H-220 - Mini-Rotary 220 VAC with insertable bayonet polycarbonate paddle, complete with SPDT contacts | 730-0353 |
| MR-I-110 - Mini-Rotary 110 VAC with single-vane, stainless steel rectangular paddle, complete with SPDT contacts | 730-0354 |
| MR-I-220 - Mini-Rotary 220 VAC with single-vane, stainless steel rectangular paddle, complete with SPDT contacts | 730-0355 |
| MINI-ROTARY PADDLES & ACCESSORIES | |
| Mini-Rotary 4-vane, polycarbonate paddle turns in a 3.2" diameter, paddle blades are 1.25" wide | 299-0936 |
| Mini-Rotary insertable bayonet polycarbonate paddle, turns in a 5" diameter | 299-0937 |
| Mini-Rotary single-vane, stainless steel rectangular paddle turns in a 4" diameter, paddle blades are 1.2" wide | 299-0938 |

| Description | Part No. |
|---|----------|
| BMRX ROTARY PARTS | |
| BMRX actuator arm | 299-0670 |
| BMRX die cast aluminum cap (short) units after April 2016 | 220-0419 |
| BMRX die cast aluminum cap AC only units prior to April 2016 | 220-0366 |
| BMRX die cast aluminum cap DC only units prior to April 2016 | 220-0370 |
| BMRX housing gasket units prior to April 2016 | 280-0072 |
| BMRX motor 115 VAC | 350-0056 |
| BMRX motor 230 VAC | 350-0059 |
| BMRX motor shaft | 285-0132 |
| BMRX PCB main 12-14 VDC (Units after May 2014) | 530-0791 |
| BMRX PCB main with limit and motor switch 115 VAC | 530-0179 |
| BMRX PCB with limit and motor switch 230 VAC | 530-0182 |
| BMRX PCB with limit and motor switch 24 VAC | 530-0183 |
| BMRX/MAXIMA+ ROTARY PARTS | |
| BMRX/MAXIMA+ 6 VDC (Units after May 2014) | 350-0060 |
| BMRX/MAXIMA+ conduit vent 3/4" NPT | 336-0017 |
| BMRX/MAXIMA+ housing gasket units after April 2016 | 203-0080 |
| BMRX/MAXIMA+ locking tab | 299-0679 |
| BMRX/MAXIMA+ motor 24/30 VAC | 350-0058 |
| BMRX/MAXIMA+ motor mounting plate | 416-0477 |
| BMRX/MAXIMA+ motor spring | 292-0036 |
| BMRX/MAXIMA+ o-ring, .139 CORD X 1.88 I.D. | 203-0077 |
| BMRX/MAXIMA+ roll pin | 150-5004 |
| BMRX/MAXIMA+ Rotary bearing | 200-1004 |
| BMRX/MAXIMA+ Rotary conduit plug | 175-0188 |
| BMRX/MAXIMA+ Rotary divider all AC units | 338-0111 |
| BMRX/MAXIMA+ Rotary divider all DC units | 338-0114 |
| BMRX/MAXIMA+ Rotary mounting plate gasket | 280-0003 |
| BMRX/MAXIMA+ Rotary retaining ring | 165-0002 |
| BMRX/MAXIMA+ Rotary shaft seal | 280-0068 |
| BMRX/MAXIMA+ screw, drive #2, u-type | 127-0001 |
| BMRX/MAXIMA+ screw, plastics #6-19 | 175-0182 |
| MAXIMA+ ROTARY PARTS | |
| MAXIMA+ die cast aluminum cap (tall) units after April 2016 | 220-0418 |
| MAXIMA+ die cast aluminum cap (tall) units prior to April 2016 | 220-0364 |
| MAXIMA+ PC board logic AC models (upper) | 530-0537 |
| MAXIMA+ PC board logic DC models (upper) (Units after May 2014) | 530-0543 |
| MAXIMA+ PCB main DC only | 530-0707 |
| MAXIMA+ PCB power (lower) | 530-0538 |
| MAXIMA+ photo interrupter | 530-0552 |
| MAXIMA+ red lens | 335-0071 |

| Description | Part No. |
|---|----------|
| MAXIMA+ slotted timing wheel | 299-0699 |
| MAXIMA+ switch assembly | 530-0553 |
| GR ROTARY PARTS | |
| GR parts not listed are no longer available. | |
| GR II PCB main | 530-0069 |
| GR II Slotted timing wheel | 299-0331 |
| GR/GRX flat rotary cover gasket | 280-0018 |
| GR/GRX micro switch assembly for the limit switch | 530-0013 |
| GR/GRX micro switch assembly for the motor switch | 530-0012 |
| GR/GRX motor assembly 115 VAC | 416-0109 |
| GR/GRX motor only 115 VAC | 350-0039 |
| GR/GRX motor only 220 VAC | 350-0040 |
| GR/GRX motor Spring | 292-0009 |
| GRD/GRDX motor assembly 115 VAC | 416-0310 |