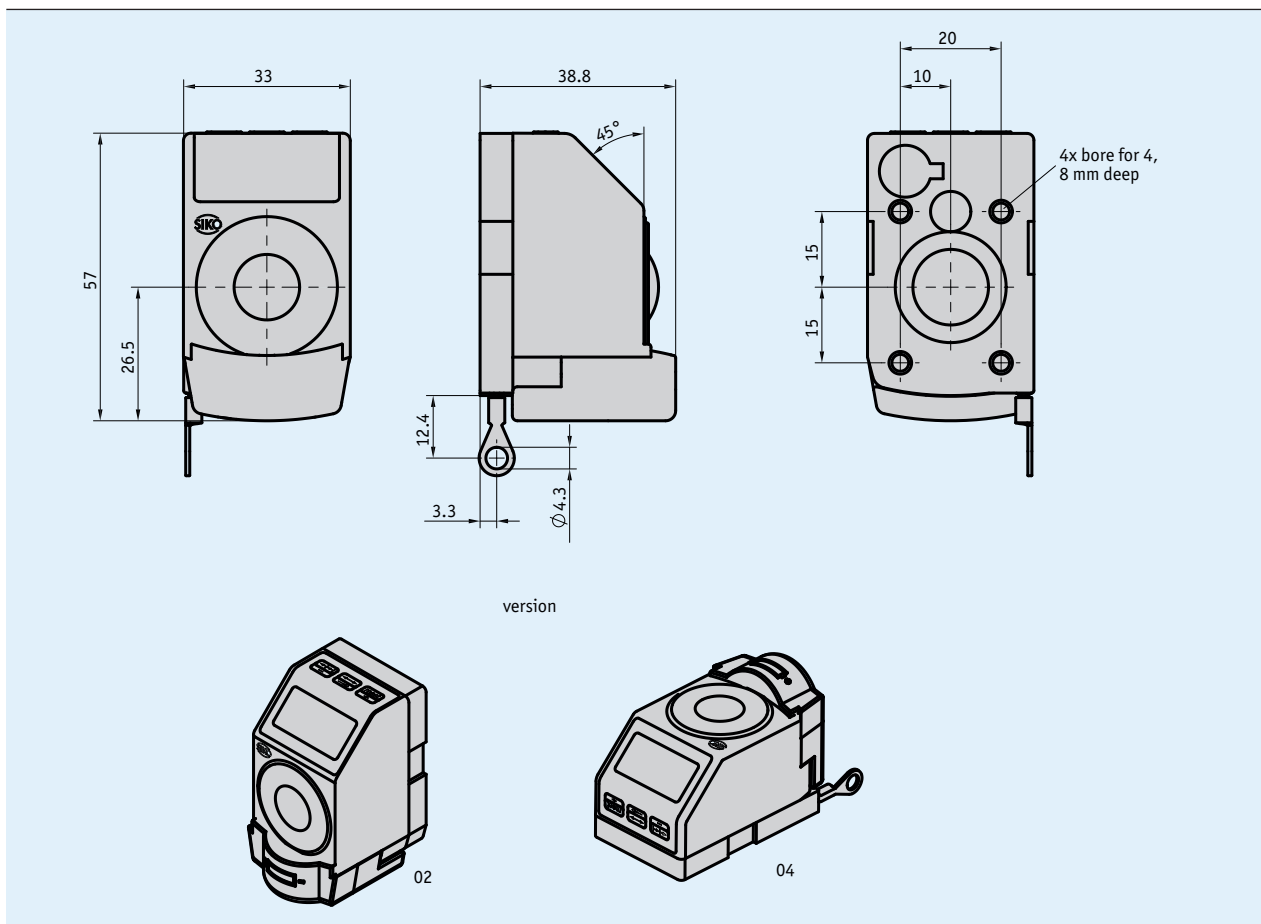


Profile

- Wire-actuated encoder with a freely programmable electronic digital display
- Linear distance measurement up to 1000 mm
- Long battery life
- Easy battery change without dismantling of the device
- LCD display with 5 digits and special characters
- Digit height approx. 8 mm
- Flexible mounting position
- Easy mounting



Mechanical data

Feature	Technical data	Additional information
Housing	plastic	
Wire design	steel wire (stainless steel) $\varnothing 0.36$ mm	plastic coated
Extension force	≥ 3 N	
Weight	~ 0.06	

Electrical data

Feature	Technical data	Additional information
Battery	lithium coin cell, 3 V, CR2477 type	~8 years service life
Display/display range	5-digit LCD 7-segment, ~8 mm height	-19999 ... 99999

System data

Feature	Technical data	Additional information
Repeat accuracy	±0.15 mm	
Travel speed	≤800 mm/s	

Ambient conditions

Feature	Technical data	Additional information
Ambient temperature	-10 ... 60 °C	
Storage temperature	-30 ... 80 °C	
EMC	EN 61000-6-2 EN 61000-6-4	interference resistance / immission electromagnetic emission
Protection category	IP50	EN 60529

Order

Ordering table

Feature	Ordering data	Specification	Additional information	
Version	02	A downward wire extension		
	04			horizontal wire extension
Measuring range	1000	B 1000 mm, resolution 1 mm		
	1000.0			1000 mm, resolution 0.1 mm
	40.0			40 inch, resolution 0.1 inch
	40.00			40 inch, resolution 0.01 inch
Counting direction	e	C ascending with wire extension		
	i			descending with wire extension
Key pad operation	D	D direct zeroing		
	V			zeroing delayed by 5 s

Order key

SDE04 - - - - - 0 - B8

A
B
C
D

Scope of delivery: SDE04, User information