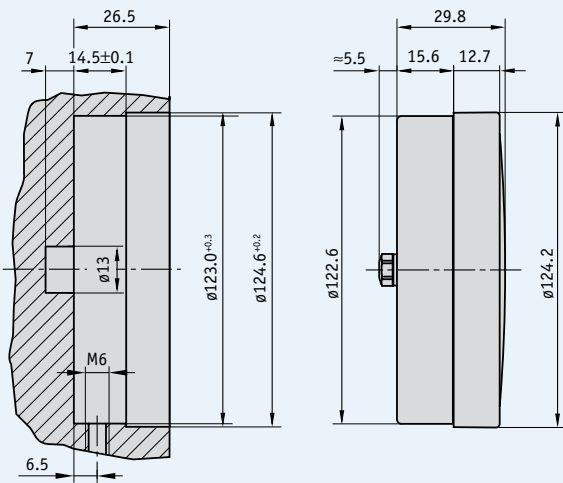


## Profile

- Analog position indicator
- Data logging based on the gravity principle
- High stability thanks to doubly supported pointer shaft
- Very robust, glass-fiber reinforced plastic housing
- Wide range of gear ratios
- Special scales, also for small numbers of pieces
- Dustproof, oil-filled or waterproof versions



## Mechanical data

| Feature                    | Technical data      | Additional information |
|----------------------------|---------------------|------------------------|
| Housing                    | plastic, reinforced |                        |
| Weight of versions N and W | 0.2 kg              |                        |
| Weight of version P        | 0.4 kg              |                        |

## Order

### Order table

| Feature                              | Order data | Technical data   | Additional information                    |
|--------------------------------------|------------|--|---|
| Version                              | N          | dustproof  | standard                                  |
|                                      | P          | oil-filled   |   |
|                                      | W          | waterproof   |   |
| Gear ratio                           | ...        | 1, 2, 3, 6, 10, 12, 15, 18, 20, 24, 30, 36, 48, 50, 60, 72, 84, 96, 100, 120, 150, 200, 250, 300, 360, 500 |   |
|                                      |            | others on request  |   |
| Sense of rotation = ascending values | i          | clockwise  |   |
|                                      | e          | counter-clockwise  |   |
| Pointer                              | 1          | pointer with gear ratio  |   |
|                                      | 2          | one pointer with gear ratio and one pointer running 1:1  |   |
| Zero setting                         | ON         | without zero setting   |   |
|                                      | MN         | with zero setting  |   |
| Scale                                | N          | normal scale   | related to gear ratio                     |
|                                      | VK         | special scale  | custom-designed, no VK with first article |
| Scale imprint                        | C1         | one-color  |   |
|                                      | C2         | two-color  |   |
|                                      | C3         | three-color  |   |

### Order code

S120/1 -  -  -  -  -  -  -

A      B      C      D      E      F      G

**Scope of delivery:** S120/1

**Accessories:**  
Drawing aid for scales

Page 107

**Additional information:**  
General information and areas of application

Page 62 cont.