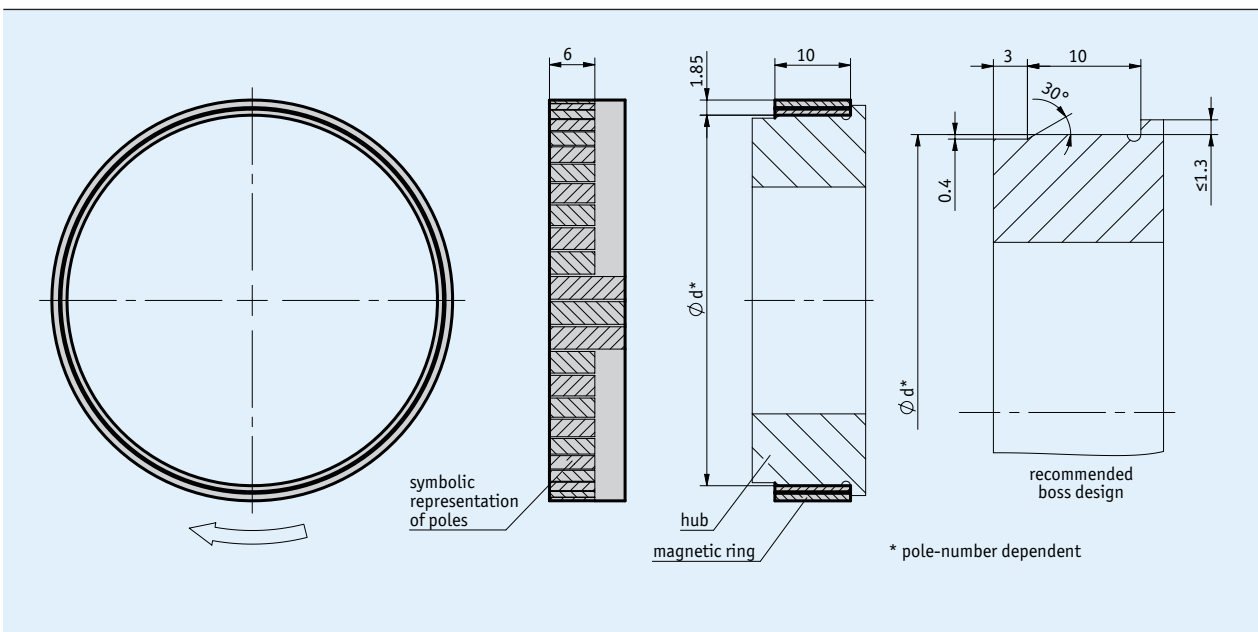


Profile

- Easy mounting on self-made carrier
- With reference point as an option
- System accuracy up to $\pm 0.05^\circ$
- Insensitive to dust, shavings, humidity, etc.
- With stainless steel carrier



Mechanical data

Feature	Technical data	Additional information
Material	stainless steel	carrier
Band width	10 mm	
Band thickness	1.85 mm	

Table of dimensions

Poles	1374	720
Diameter d [mm]	433.56 ± 0.04	225.69 ± 0.03
Diameter with MRS100 [mm]	437.3	229.4
Circumference U with MRS100 [mm]	1373.8	720.7
Speed n [min^{-1}]	≤ 870	≤ 1666

System data

Feature	Technical data	Additional information
Pole length	1 mm	
System accuracy	$\pm 0.05^\circ$	

■ Periods/revolution

Pole number	720	1374
Period	720	1374

The table applies to the combination of MRS100 with LE100/1

Ambient conditions

Feature	Technical data	Additional information
Ambient temperature	-20 ... 100 °C	
Storage temperature	-20 ... 100 °C	
Relative humidity	100 %	condensation admissible

Order

■ Ordering table

Feature	Ordering data	Specification	Additional information
Pole number	720	720 poles	
	1374	1374 poles	
		others on request	
Reference point	O	without	
	M	with	

■ Order key

MRS100 - -

Scope of delivery: MRS100, Quick Start Guide